



Current transformers 14.12

TAI

cable/bus bar current transformers



TAS

cable/bus bar current transformers



TAU

cable/bus bar current transformers



TRA

cable/bus bar open core current transformers



TAC

passing cable current transformers



TAQ

primary winding current transformers



BSA BTA

summation current transformers



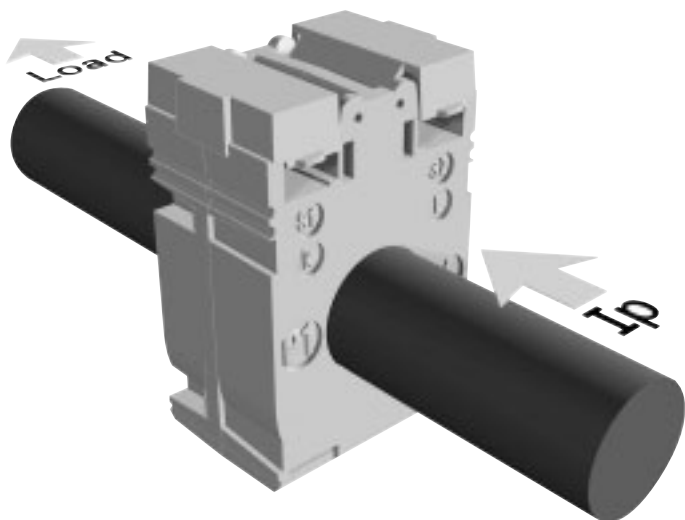
Voltage transformers 14.37

BTV

voltage transformers

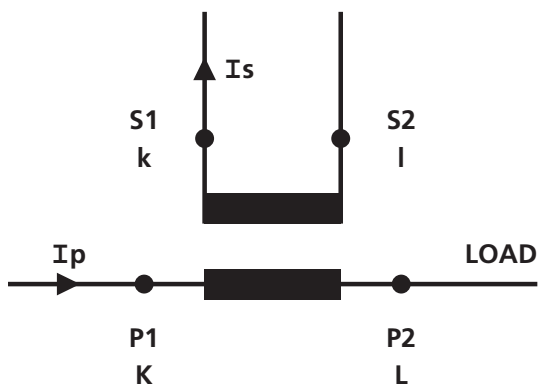


Transformers for special uses 14.43



Current transformers

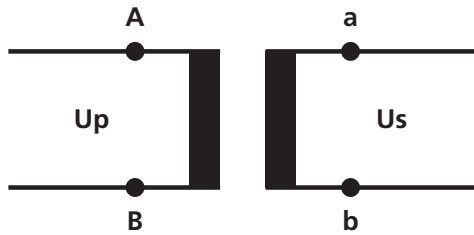
- Reference Standards EN60044-1
- Standard secondary currents 5A or 1A
- Frequency 47÷63Hz
- Insulation reference voltage 0,72kV
test voltage 3kV per 1' a 50Hz
- insulation class B (CEI EN 60044-1)
- Rated continuous thermal current according to CEI EN 60044-1
- Rated short-time thermal current (I_{th}):
models passing bar 60In (max 60kA/1s)
models with wound primary 60In (TAQ1, TAQ2 and TAQ6 30In)
- Rated dynamic current (I_{dyn}) 2,5 I_{th}
- Safety factor (f.s.) ≤5 for class 0,5-1-3
(for models TAU8-9-10-11 f.s. ≤ 10)
- Working time with secondary winding open 1 min.
- Connectors marking:
primary P1 - P2 (K - L)
secondary s1 - s2 (k - l)
- Terminal protection degree:
series TAI - TRA - TAC - BTA IP20
series TAS - TAU - TAQ - BSA IP00
(IP20 with sealable terminal cover)
- Self-extinguishing polycarbonate housing, VO classification according to UL-94 (except for models TRA11 - TRA15 thermoplastic material and partially filled with resin, BTA2 metallic housing)
- Tropicalized execution / standard marine use



Absorbed power (VA) of connecting cables between CT and instrument

section mm ² Cu	VA for each double pole cable meter at 20°C*		rated burden of each current circuit
	secondary 5A	secondary 1A	
1	1	0,04	Moving iron ammeters RQ//D4/NP 1,1VA Moving iron ammeters AQ 1,7VA
1,5	0,685	0,0274	Moving coil ammeters with rectifier AQ 0,7VA Thermal ammeters RQ 1,5VA
2,5	0,41	0,0164	Moving iron thermal ammeters RQ 2,5VA Insulated multifunction Nemo 0,5VA
4	0,254	0,0102	Non-insulated multifunction Nemo 0,75VA KWhmeter Conto 0,5VA
6	0,169	0,0068	Current relay RM 0,5VA Tema fP trasducers 0,5VA
10	0,0975	0,0039	Tema self-supplied current transducers 2,5VA Tema current transducers with separate auxiliary 0,5VA
16	0,062	0,0025	Tesi transducers 0,5VA DG digitals ≤1VA

* For each 10°C of temperature variation, the VA absorbed by connecting cable will increase of 4%



Voltage transformers

- Reference Standards EN60044-2
- Standard secondary voltages
100V - 110V - $100:\sqrt{3}$ V - $110:\sqrt{3}$ V
- Frequency $47\div 63$ Hz
- Insulation reference voltage 0,72kV } for primary voltages
test voltage 3kV for 1' to 50Hz } ≤ 660 V or $660:\sqrt{3}$ V
- Insulation reference voltage 1,2kV } for primary voltages
test voltage 6kV for 1' to 50Hz } ≥ 690 V or $690:\sqrt{3}$ V
- Maximum heating voltage (voltage factor):
models for phase-phase connection 1,2 U_n continuous and 1,9 U_n
for 8 hours
- Connectors marking:
Primary A - B / secondary a - b (types between phase-phase)
Primary A - N / secondary a - n (types between phase-neutral)
- Metal housing
- Tropicalized execution / standard marine use

Cable	Ø21	Ø22	Ø17	Ø22	Ø22	Ø22	Ø28	Ø35	
Window			20,5x5,5	30,5x10,5	30,5x10,5	31x11	30,5x10,5	40,5x10,5	51x12,5
Bars	16x12,5	20x5	20x5	30x10	30x10	30x10	30x10	40x10	50x12
A Primary current	TAIBB TABB	TAI200 TAIA	TAI210 TAIB	TAI230 TAIC	TAI233 TAID	TAI300 TAIE	TAI310 TAIF	TAI400 TAIG	TAI500 TAIH
	VA cl. 0,5 1 3	VA cl. 0,5 1 3	VA cl. 0,5 1 3	VA cl. 0,5 1 3	VA cl. 0,5 1 3	VA cl. 0,5 1 3	VA cl. 0,5 1 3	VA cl. 0,5 1 3	VA cl. 0,5 1 3
40	- - 1				- - 1,5				
50	- 1,25 1,5	- - 2	- - 1,5		- - 2		- - 2	- - 1,5	
60	- 1,25 2	- - 2,5	- - 1,5		- - 2,5		- - 3	- - 2	
70	- 1,5 2,5	- - 3	- - 2		- - 3		- - 4	- - 3	
75	- 1,5 2,5	- - 3	- - 2		- 1,5 3,5		- - 4	- - 3	
80	- 1,5 2,5	- - 3	- - 2		- 1,5 4		- 1,5 3,5	- - 3	
100	2 2,5 3,5	- 2 4	- 1,5 1,5		- 2,5 5	- 2 3	- 2 6	- 1 4	
120	2,5 3,5 4	- 3 5	- 2 3		- 3,5 5,5	- 2,5 3,5	1 2 8	- 2 5	
125	2,5 3,5 4	- 3 5	- 2 3		1 4 5,5	- 2,5 3,5	1 2 8	- 2 6	
150	3 4 5	2 4 6	- 2,5 4	- - 1,5	1,5 5,5 6,5	- 3,5 4,5	1,5 3,5 10	1 3 6	
160	3 4 5	2 4 6	- 2,5 4	- - 1,5	1,5 5,5 6,5	- 3,5 4,5	1,5 3,5 10	1 3 6	
200	4 5,5 6	3 6 8	2 4 6	- 2 3	4 7 8,5	3 4 6	4 8 12	1,5 3 6	
250	5 6 7	5 8 10		- 2 3	6 9 11	5 6 8	6 12 15	2,5 5 8	- - 3
300	6 7,5 8			2 3 4	7,5 11 14	6 8 9	10 15 20	4 8 12	- 2 4
400				3 4 5	11 15 18	7,5 10 12	15 20 25	8 12 15	- 4 6
500				4 5 6	12 18 22	10 12 15	20 25 30	10 12 15	2 4 6
600				5 6 8	15 22 26	12 15 15	25 25 30	12 15 15	6 8 10
700								10 12 12	8 10 12
750								10 12 15	8 10 12
800								10 12 15	8 10 12
1000								10 12 15	10 12 15
1200									12 15 20
1250									
1500									
1600									
2000									
2500									
3000									
3200									
4000									
5000									
6000									
8000									
Weight	180g	290g	240g	200g	400g	320g	650g	430g	450g
see page	12	13	13	14	14	15	15	16	16



Reasuming table

64x19 63x15 2x50x5	64x19 63x15 2x50x5	64x11 63x10 2x50x10	32x65 2x10x60 2x10x50	82x32 2x80x10 3x80x6	82x32 2x80x10 3x80x6	81x11 81x10 2x63x10	34x84 2x80x10 3x80x5	Window Bars
TAS63 TASH	TAS63P TAWA	TAS64 TASI	TAS65 TASL	TAS80 TASM	TAS80P TAWB	TAS81 TASN	TAS84 TASO	A Primary current
VA cl. $\frac{5P}{5}$ 0,5 1 3 5	VA cl. $\frac{5P}{5}$ 10	VA cl. 0,5 1 3	VA cl. $\frac{5P}{5}$ 10	VA cl. $\frac{5P}{5}$ 10	VA cl. $\frac{5P}{5}$ 10 15 20	VA cl. 0,5 1 3	VA cl. 0,5 1 3	
								40
								50
								60
								70
								75
								80
								100
								120
								125
- 1,5 5 -							- - 2	150
- - - -							- - -	160
- 3 8 -		- - 3	- 2 5 1	- 4 - -			- - 4	200
2 5 5 2	2,5 1	- 2,5 4	1 4 6 1	- 6 - -			- - 5	250
3 6 6 3	3,5 1,2	- 3 5	1,5 6 7 1	4 8 6 2,5	8 4 2,5 1,5		- 2 6	300
6 12 12 3	4 1,5	- 4 6	4 8 10 1,5	8 16 7 2,5	10 5 3 2	- 2 3	3 5 8	400
6 12 12 4	5 1,5	2 4 6	8 10 12 2 1	10 20 10 3	12 6 4 2,5	2 4 6	5 7 10	500
10 20 20 4	6 2	4 6 8	8 12 15 2,25 1	15 30 10 4	15 7 4,5 3	3 5 8	6 10 12	600
12 25 25 5	7 2	6 8 10	10 12 15 2,25 1	20 40 10 4	16 8 4,5 3	4 6 8	6 10 12	700
12 25 25 5	7 2	6 8 10	10 15 15 2 1	20 40 10 4	20 9 5 3	4 6 8	8 12 15	750
12 25 25 5	7 1,5	6 8 10	12 15 20 2,25 1	20 40 10 4	20 8 4,5 2,5	4 6 8	8 12 15	800
15 30 30 6	7 1,5	8 10 12	15 20 25 3,5 1,5	20 40 15 4	25 10 6 3	6 8 10	10 15 20	1000
20 40 40 6	10 1,5	10 12 15	15 20 25 4 2	25 50 20 5	30 12 6 3	8 10 12	12 15 20	1200
20 40 40 8	10 2	10 12 15	15 20 25 3,5 1,5	25 50 20 5	30 12 6 3	8 10 12	12 15 20	1250
20 40 40 8	10 1,5	10 12 15	20 25 30 5 2,5	40 80 25 5	35 12 5 -	10 12 15	15 20 25	1500
20 40 40 8	10 1,5	10 12 15	20 25 30 4 2	40 80 25 5	35 12 5 -	10 12 15	15 20 25	1600
			20 25 30 4 2	50 100 30 6	40 12 3 -	10 12 15	20 25 30	2000
				60 120 35 6	45 10 - -	10 12 15	25 30 40	2500
								3000
								3200
								4000
								5000
								6000
								8000
720g	900g	500g	750g	1500g	2000g	470g	700g	Weight
17	17	18	19	20	20	18	21	see page

Window	38x105	127x54	127x54	38x127	54x127
Bars	2x12,5x100 4x5x100	3x125x10 3x100x10	3x125x10 3x100x10	2x10x125 3x10x100	3x10x125 3x10x100
A Primary current	TAS105 TASP	TAS125 TASQ	TAS125P TAWC	TAS127 TASR	TAS127B TASS
	VA cl. 5P 0,5 1 3 5 10	VA cl. 5P 0,5 1 5 10	VA cl. 5P 0,5 1 5 10	VA cl. 3 0,5 1 3	VA cl. 5P 0,5 1 3 5 10
40					
50					
60					
70					
75					
80					
100					
120					
125					
150					
160					
200	- 1 4 - -				
250	- 2 5 1 -				
300	- 3 7 1 -				
400	1,5 5 8 1 -	3 6 6 3	12 6 3,5 2,5	- 3 6	1 7 10 2 1
500	3 8 10 1 -	6 12 10 3	15 7 4 3	2 4 8	3 10 14 2,5 1,25
600	5 9 12 1 -	15 30 10 5	20 10 5 4	4 6 10	5 12 17 2,5 1,25
700	8 10 12 1 -	20 40 10 5	20 10 6 4	4 8 10	8 15 20 3 1,5
750	8 10 15 1 -	20 40 10 5	25 10 7 5	4 8 10	10 15 20 3 1,5
800	8 10 15 1 -	20 40 15 5	25 10 7 5	4 8 10	10 15 20 3 1,5
1000	10 15 20 2 1	20 40 15 5	30 15 8 6	6 10 -	12 20 25 4 2
1200	12 15 25 3 1,5	25 50 20 5	35 15 8 6	8 12 -	15 25 30 4 2
1250	15 20 25 3 1,5	25 50 20 5	35 15 8 6	8 12 -	15 25 30 5 2,5
1500	15 20 30 3 1,5	40 80 20 5	40 20 10 6	10 15 -	20 30 40 5 2,5
1600	15 20 30 3 1,5	40 80 20 5	40 20 10 6	10 15 -	20 30 40 5 3
2000	20 30 40 3 1,5	50 100 25 5	50 20 10 4	15 20 -	25 40 50 7 3,5
2500	25 30 50 3 1,5	60 120 30 5	60 20 10 3	20 25 -	30 50 60 8 4
3000	25 30 50 4 2	60 120 40 5	80 25 10 3	25 30 -	30 50 60 10 5
3200		- - - -	- - - -	25 30 -	30 50 60 10 5
4000		100 200 50 5	100 30 15 3	25 30 -	30 50 60 12 6
5000					
6000					
8000					
Weight	1000g	2500g	3600g	1500g	1300g
see page	22	23	23	24	25



Reasuming table

55x125 3x125x10 2x125x16	55x125 3x125x10 2x125x16	55x165 3x160x10 2x160x16	55x165 3x160x10 2x160x16	120x125 6x125x10 3x125x20	120x125 6x125x10 3x125x20	120x165 6x160x10 3x160x20	120x165 6x160x10 3x160x20	Window Bars
TAU8 TAUA	TAU81P TAXA	TAU9 TAUB	TAU91P TAXB	TAU10 TAUC	TAU101P TAXC	TAU11 TAUD	TAU111P TAXD	A Primary current
VA cl. 0,5	VA cl.5P 5 10 15 20	VA cl. 0,5	VA cl.5P 5 10 15 20	VA cl. 0,5	VA cl.5P 5 10 15 20	VA cl. 0,5	VA cl. 5P 5 10 15 20	
								40
								50
								60
								70
								75
								80
								100
								120
								125
								150
								160
								200
								250
								300
								400
								500
								600
								700
								750
								800
6	35 10 5 2	6	35 10 5 2	6	35 10 5 2	6	35 10 5 2	1000
10	40 15 6 2	10	40 15 6 2	10	40 15 6 2	10	40 15 6 2	1200
-	- - - -	-	- - - -	-	- - - -	-	- - - -	1250
20	50 15 6 1,5	20	50 15 6 2	20	50 15 6 1,5	20	50 15 6 2	1500
-	- - - -	-	- - - -	-	- - - -	-	- - - -	1600
30	50 15 6 1,5	30	50 20 10 3	30	50 15 6 1,5	30	50 20 10 3	2000
40	80 25 10 1,5	40	80 25 10 3	40	80 25 10 1,5	40	80 25 10 3	2500
40	100 35 10 -	40	80 35 15 4	40	100 35 10 -	40	80 35 15 4	3000
-	- - - -	-	- - - -	-	- - - -	-	- - - -	3200
50	140 40 15 -	50	100 40 15 5	50	100 40 15 -	50	100 40 15 5	4000
		60	100 40 20 5	60	160 40 8 -	60	100 40 20 5	5000
				70	180 50 10 -	70	100 40 20 3	6000
						70	100 40 20 -	8000
4700g	4700g	5000g	5000g	5700g	5700g	6700g	6700g	Weight
26	26	27	27	28	28	29	29	see page

Cable	Ø110			Ø150			50,5x80,5			80,5x120,5		
Window							50x80			80x120		
Bars												
A Primary current	TRA11 TAAA			TRA15 TAAB			TRA58R TAAD			TRA812R TAAE		
	VA cl.			VA cl.			VA cl.			VA cl.		
	0,5	1	3	0,5	1	3	0,5	1	3	0,5	1	3
5												
10												
15												
20												
25												
30												
40												
50												
60												
70												
75												
80												
100	-	-	3	-	-	3						
120	-	-	3	-	-	3						
150	-	-	5	-	-	5						
200	-	-	5	-	-	5						
250	-	5	-	-	5	-	1	2	4			
300	-	5	-	-	5	-						
400	5	-	-	5	-	-	1,5	3	10			
500	8	-	-	8	-	-						
600	15	-	-	15	-	-	2,5	5	17	-	5	14
750												
800	15	-	-	15	-	-	3	7	18	3	7	18
1000	15	-	-	15	-	-				5	9	20
1200	20	-	-	20	-	-				6	11	24
1250												
1500	20	-	-	20	-	-				8	17	30
2000	25	-	-	25	-	-						
2500				25	-	-						
3000				25	-	-						
4000				30	-	-						
5000				30	-	-						
Weight	max. 4200g			max. 5500g			1100g			1500g		
see page	30			30			31			31		



Reasuming table

TAQ1 TAQE			TAQ2 TAQA			TAQ6 TAQB			TAQ10 TAQC			TAQ20 TAQD			TAQ20P TAVA		Cable Window Bars
VA cl.			VA cl.			VA cl.			VA cl.			VA cl.			VA cl.5P		A Primary current
0,5	1	3	0,5	1	3	0,5	1	3	0,5	1	3	0,5	1	3	5	10	
-	3	-	2	4	6	6	10	12	10	12	15	20	40	45	8	4	5
-	3	-	2	4	6	6	10	12	10	12	15	20	40	45	8	4	10
-	3	-	2	4	6	6	10	12	10	12	15	20	40	45	8	4	15
-	3	-	2	4	6	6	10	12	10	12	15	20	40	45	8	4	20
-	3	-	2	4	6	6	10	12	10	12	15	20	40	45	8	4	25
-	3	-	2	4	6	6	10	12	10	12	15	20	40	45	8	4	30
-	3	-	2	4	6	6	10	12	10	12	15	20	40	45	8	4	40
-	3	-	2	4	6	6	10	12	10	12	15	20	40	45	8	4	50
-	3	-	2	4	6	6	10	12	10	12	15	20	40	45	8	4	60
			2	4	6	6	10	12	10	12	15	20	40	45	8	4	70
			2	4	6	6	10	12	10	12	15	20	40	45	8	4	75
			2	4	6	6	10	12	10	12	15	20	40	45	8	4	80
						6	10	12	10	12	15	20	40	45	8	4	100
									10	12	15	20	40	45	8	4	120
									10	12	15	20	40	45	8	4	150
									10	12	15	20	40	45	8	4	200
									10	12	15	20	40	45	8	4	250
									10	12	15	20	40	45	8	4	300
												20	40	45	8	4	400
												20	40	45	8	4	500
												20	40	45	8	4	600
																	750
																	800
																	1000
																	1200
																	1250
																	1500
																	2000
																	2500
																	3000
																	4000
																	5000
320g			320g			350g			700g			2000g			2000g		Weight
33			33			34			34			35			35		see page

Cable	Ø80			Ø110								
Window												
Bars												
A Primary current	TAC80 TA085			TAC110 TA115			BSA02 TAEA		BSA03 TAEA		BTA2 TAEB	
	VA cl. 0,5 1 3			VA cl. 0,5 1 3			VA cl. 0,5 1		VA cl. 0,5 1		VA cl. 0,5	
100												
200												
300												
400	3	5	8	3	5	8						
500	3	5	8	3	5	8						
600	4	6	8	4	6	8						
800	4	6	8	4	6	8						
1000	6	8	10	8	10	12						
1200				8	10	12						
1500				10	12	15						
5+5							10	15			40	
5+5+5									10	15	40	
5+5+5+5											40	
5+5+5+5+5											15	
5+5+5+5+5+5											15	
1+1							10	15			40	
1+1+1									10	15	40	
1+1+1+1											40	
1+1+1+1+1											15	
1+1+1+1+1+1											15	
Weight	500g			650g			440g		440g		4000g	
see page	32			32			36		36		36	

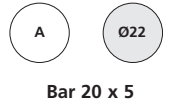
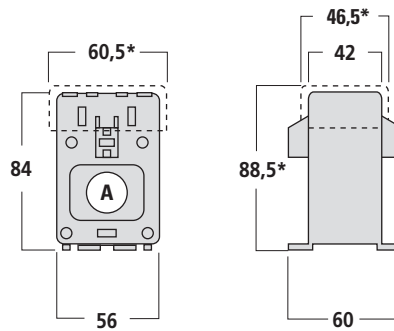


Bar 16 x 12,5

NT 516		Fixing for 35mm Din rail (EN 50022)									
Primary current	Burden VA			Secondary 5A			Secondary 1A			UTF certification	
	cl.0,5	cl.1	cl.3	Ordering code	Stock		Ordering code	Stock			
40A			1	TABB50B400	•		TABB10B400	•			
50A		1,25	1,5	TABB50B500	•		TABB10B500	•			
60A		1,25	2	TABB50B600	•		TABB10B600	•			
70A		1,5	2,5	TABB50B700	•		TABB10B700				
75A		1,5	2,5	TABB50B750	•		TABB10B750	•			
80A		1,5	2,5	TABB50B800	•		TABB10B800	•			
100A	2	2,5	3,5	TABB50C100	•		TABB10C100	•			
120A	2,5	3,5	4	TABB50C120	•		TABB10C120				
125A	2,5	3,5	4	TABB50C125	•		TABB10C125				
150A	3	4	5	TABB50C150	•		TABB10C150	•		•	
160A	3	4	5	TABB50C160	•		TABB10C160			•	
200A	4	5,5	6	TABB50C200	•		TABB10C200			•	
250A	5	6	7	TABB50C250	•					•	
300A	6	7,5	8	TABB50C300	•					•	
accessory	sealable terminal cover						ATACOP12	•			



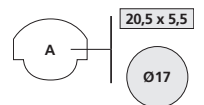
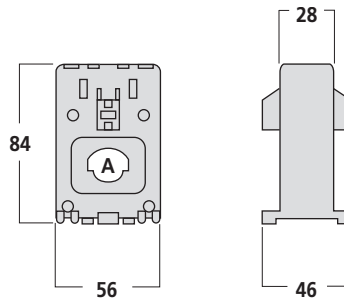
TAI Current transformers



NT 560

TAI200

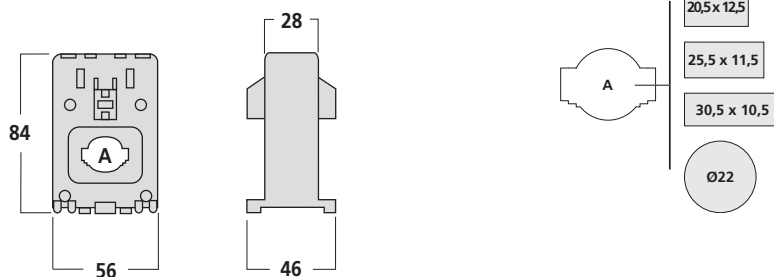
Primary current	Burden VA			Secondary 5A			Secondary 1A			UTF certification
	cl.0,5	cl.1	cl.3	Ordering code	Stock		Ordering code	Stock		
50A			2	TAIA50B500	•		TAIA10B500	•		
60A			2,5	TAIA50B600	•		TAIA10B600	•		
70A			3	TAIA50B700	•		TAIA10B700	•		
75A			3	TAIA50B750	•		TAIA10B750	•		
80A			3	TAIA50B800	•		TAIA10B800	•		
100A		2	4	TAIA50C100	•		TAIA10C100	•		
120A		3	5	TAIA50C120	•		TAIA10C120	•		
125A		3	5	TAIA50C125	•		TAIA10C125	•		
150A	2	4	6	TAIA50C150	•		TAIA10C150	•		
160A	2	4	6	TAIA50C160	•		TAIA10C160	•		
200A	3	6	8	TAIA50C200	•		TAIA10C200	•		•
250A	5	8	10	TAIA50C250	•		TAIA10C250	•		•
accessory	*sealable terminal cover						ATACOP1	•		



NT 561

TAI210

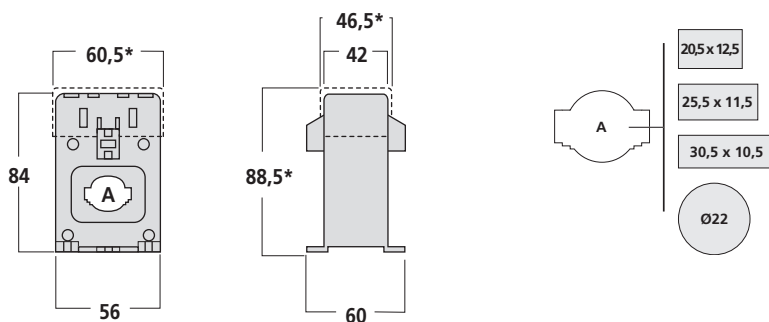
Primary current	Burden VA			Secondary 5A			Secondary 1A			UTF certification
	cl.0,5	cl.1	cl.3	Ordering code	Stock		Ordering code	Stock		
50A			1,5	TAIB50B500	•		TAIB10B500	•		
60A			1,5	TAIB50B600	•		TAIB10B600	•		
70A			2	TAIB50B700	•		TAIB10B700	•		
75A			2	TAIB50B750	•		TAIB10B750	•		
80A			2	TAIB50B800	•		TAIB10B800	•		
100A		1,5	1,5	TAIB50C100	•		TAIB10C100	•		
120A		2	3	TAIB50C120	•		TAIB10C120	•		
125A		2	3	TAIB50C125	•		TAIB10C125	•		
150A		2,5	4	TAIB50C150	•		TAIB10C150	•		
160A		2,5	4	TAIB50C160	•		TAIB10C160	•		
200A	2	4	6	TAIB50C200	•		TAIB10C200	•		



NT 559

TAI230

Primary current	Burden VA			Secondary 5A			Secondary 1A			UTF certification
	cl.0,5	cl.1	cl.3	Ordering code	Stock		Ordering code	Stock		
150A			1,5	TAIC50C150	•		TAIC10C150			
160A			1,5	TAIC50C160	•		TAIC10C160			
200A		2	3	TAIC50C200	•		TAIC10C200			
250A		2	3	TAIC50C250	•		TAIC10C250			
300A	2	3	4	TAIC50C300	•		TAIC10C300			
400A	3	4	5	TAIC50C400	•		TAIC10C400			
500A	4	5	6	TAIC50C500	•		TAIC10C500			
600A	5	6	8	TAIC50C600	•		TAIC10C600			



NT 521

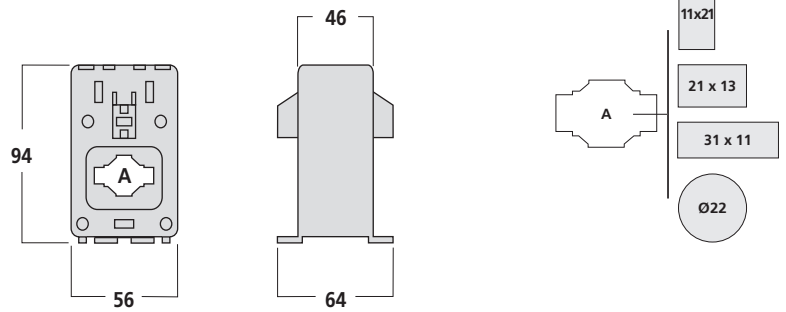
TAI233

Primary current	Burden VA			Secondary 5A			Secondary 1A			UTF certification
	cl.0,5	cl.1	cl.3	Ordering code	Stock		Ordering code	Stock		
40A			1,5	TAID50B400	•		TAID10B400	•		
50A			2	TAID50B500	•		TAID10B500	•		
60A			2,5	TAID50B600	•		TAID10B600	•		
70A			3	TAID50B700	•		TAID10B700	•		
75A		1,5	3,5	TAID50B750	•		TAID10B750	•		
80A		1,5	4	TAID50B800	•		TAID10B800	•		
100A		2,5	5	TAID50C100	•		TAID10C100	•		
120A		3,5	5,5	TAID50C120	•		TAID10C120	•		
125A	1	4	5,5	TAID50C125	•		TAID10C125	•		
150A	1,5	5,5	6,5	TAID50C150	•		TAID10C150	•		
160A	1,5	5,5	6,5	TAID50C160	•		TAID10C160	•		
200A	4	7	8,5	TAID50C200	•		TAID10C200	•	•	
250A	6	9	11	TAID50C250	•		TAID10C250	•	•	•
300A	7,5	11	14	TAID50C300	•		TAID10C300	•	•	•
400A	11	15	18	TAID50C400	•		TAID10C400	•	•	•
500A	12	18	22	TAID50C500	•		TAID10C500	•	•	•
600A	15	22	26	TAID50C600	•		TAID10C600	•	•	•

accessory

*sealable terminal cover

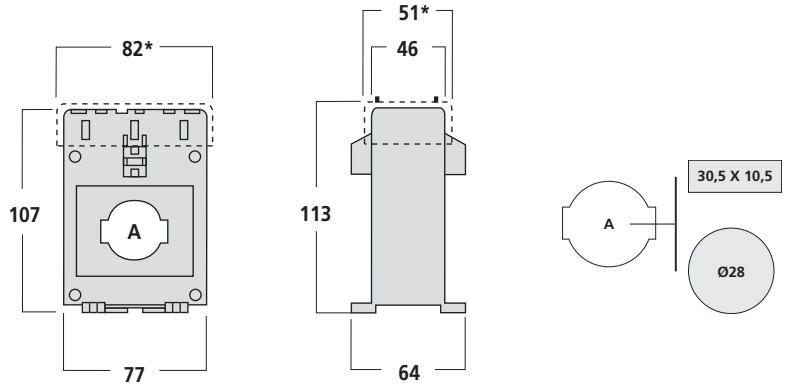
ATACOP01



NT 562

TAI300

Primary current	Burden VA			Secondary 5A			Secondary 1A			UTF certification
	cl.0,5	cl.1	cl.3	Ordering code	Stock		Ordering code	Stock		
100A		2	3	TAIE50C100	•		TAIE10C100			
120A		2,5	3,5	TAIE50C120			TAIE10C120			
125A		2,5	3,5	TAIE50C125			TAIE10C125			
150A		3,5	4,5	TAIE50C150	•		TAIE10C150			
160A		3,5	4,5	TAIE50C160			TAIE10C160			
200A	3	4	6	TAIE50C200	•		TAIE10C200			
250A	5	6	8	TAIE50C250	•		TAIE10C250			
300A	6	8	9	TAIE50C300	•		TAIE10C300			
400A	7,5	10	12	TAIE50C400	•		TAIE10C400			
500A	10	12	15	TAIE50C500	•		TAIE10C500			
600A	12	15	15	TAIE50C600	•		TAIE10C600			



NT 563

TAI310

Primary current	Burden VA			Secondary 5A			Secondary 1A			UTF certification
	cl.0,5	cl.1	cl.3	Ordering code	Stock		Ordering code	Stock		
50A			2	TAIF50B500	•		TAIF10B500			
60A			3	TAIF50B600	•		TAIF10B600			
70A			4	TAIF50B700			TAIF10B700			
75A			4	TAIF50B750			TAIF10B750			
80A		1,5	3,5	TAIF50B800	•		TAIF10B800			
100A		2	6	TAIF50C100	•		TAIF10C100			
120A	1	2	8	TAIF50C120	•		TAIF10C120			
125A	1	2	8	TAIF50C125			TAIF10C125			
150A	1,5	3,5	10	TAIF50C150	•		TAIF10C150			
160A	1,5	3,5	10	TAIF50C160			TAIF10C160			
200A	4	8	12	TAIF50C200	•		TAIF10C200			•
250A	6	12	15	TAIF50C250	•		TAIF10C250			•
300A	10	15	20	TAIF50C300	•		TAIF10C300			•
400A	15	20	25	TAIF50C400	•		TAIF10C400			•
500A	20	25	30	TAIF50C500	•		TAIF10C500			•
600A	25	25	30	TAIF50C600	•		TAIF10C600			•

accessory

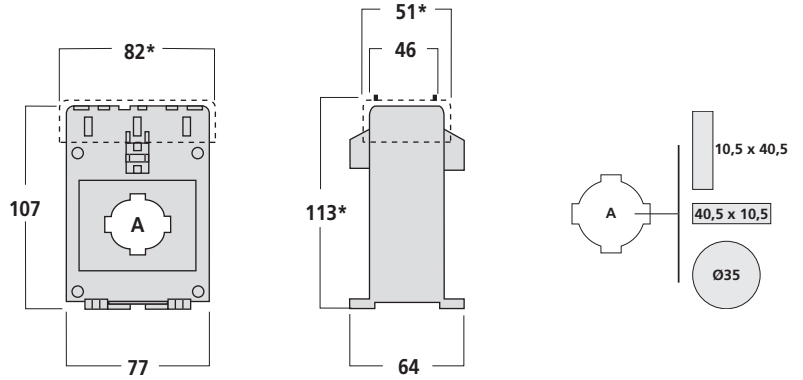
*sealable terminal cover

ATACOP02

•



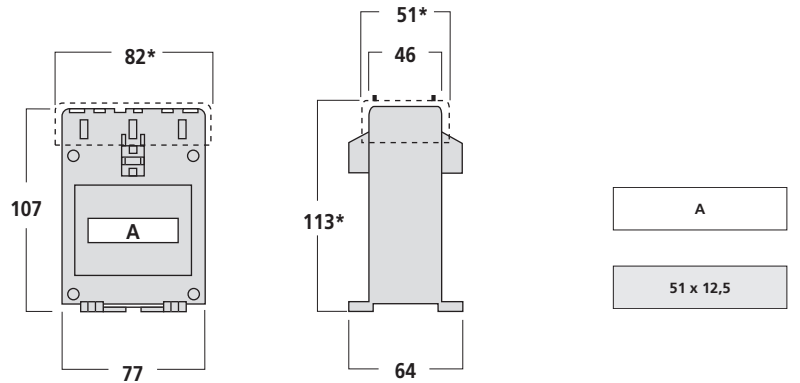
TAI Current transformers



NT 524

TAI400

Primary current	Burden VA			Secondary 5A			Secondary 1A			UTF certification
	cl.0,5	cl.1	cl.3	Ordering code	Stock		Ordering code	Stock		
50A			1,5	TAIG50B500	•		TAIG10B500	•		
60A			2	TAIG50B600	•		TAIG10B600	•		
70A			3	TAIG50B700			TAIG10B700			
75A			3	TAIG50B750			TAIG10B750			
80A			3	TAIG50B800	•		TAIG10B800	•		
100A		1	4	TAIG50C100	•		TAIG10C100	•		
120A		2	5	TAIG50C120	•		TAIG10C120			
125A		2	6	TAIG50C125	•		TAIG10C125			
150A	1	3	6	TAIG50C150	•		TAIG10C150	•		
160A	1	3	6	TAIG50C160			TAIG10C160			
200A	1,5	3	6	TAIG50C200	•		TAIG10C200	•		
250A	2,5	5	8	TAIG50C250	•		TAIG10C250	•		
300A	4	8	12	TAIG50C300	•		TAIG10C300	•		•
400A	8	12	15	TAIG50C400	•		TAIG10C400	•		•
500A	10	12	15	TAIG50C500	•		TAIG10C500	•		•
600A	12	15	15	TAIG50C600	•		TAIG10C600	•		•
700A	10	12	12	TAIG50C700			TAIG10C700			•
750A	10	12	15	TAIG50C750			TAIG10C750			•
800A	10	12	15	TAIG50C800	•		TAIG10C800	•		•
1000A	10	12	15	TAIG50D100	•		TAIG10D100	•		•
accessory	*sealable terminal cover						ATACOP02	•		



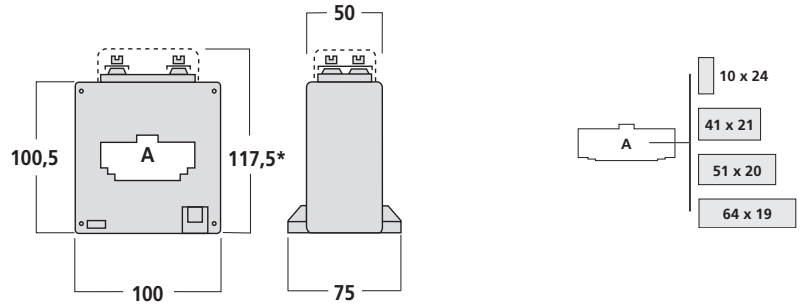
NT 566

TAI500

Primary current	Burden VA			Secondary 5A			Secondary 1A			UTF certification
	cl.0,5	cl.1	cl.3	Ordering code	Stock		Ordering code	Stock		
250A			3	TAIH50C250	•		TAIH10C250			
300A		2	4	TAIH50C300	•		TAIH10C300			
400A		4	6	TAIH50C400	•		TAIH10C400			
500A	2	4	6	TAIH50C500	•		TAIH10C500			
600A	6	8	10	TAIH50C600	•		TAIH10C600	•		•
700A	8	10	12	TAIH50C700	•		TAIH10C700			•
750A	8	10	12	TAIH50C750			TAIH10C750			•
800A	8	10	12	TAIH50C800	•		TAIH10C800	•		•
1000A	10	12	15	TAIH50D100	•		TAIH10D100	•		•
1200A	12	15	20	TAIH50D120	•		TAIH10D120	•		•
accessory	*sealable terminal cover						ATACOP02	•		



TAS Current transformers



NT 567

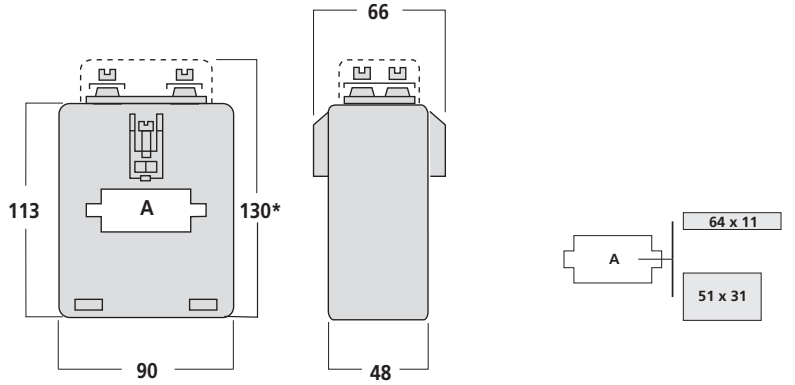
TAS63

Primary current	Burden VA				Secondary 5A			Secondary 1A			UTF certification
	cl.0,5	cl.1	cl.3	cl.5P5	Ordering code	Stock		Ordering code	Stock		
150A		1,5	5		TASH50C150			TASH10C150			
200A		3	8		TASH50C200			TASH10C200			
250A	2	5	5	2	TASH50C250			TASH10C250			
300A	3	6	6	3	TASH50C300			TASH10C300			•
400A	6	12	12	3	TASH50C400	•		TASH10C400			•
500A	6	12	12	4	TASH50C500	•		TASH10C500			•
600A	10	20	20	4	TASH50C600	•		TASH10C600			•
700A	12	25	25	5	TASH50C700			TASH10C700			•
750A	12	25	25	5	TASH50C750			TASH10C750			•
800A	12	25	25	5	TASH50C800	•		TASH10C800	•		•
1000A	15	30	30	6	TASH50D100	•		TASH10D100	•		•
1200A	20	40	40	6	TASH50D120	•		TASH10D120			•
1250A	20	40	40	8	TASH50D125			TASH10D125			•
1500A	20	40	40	8	TASH50D150	•		TASH10D150	•		•
1600A	20	40	40	8	TASH50D160			TASH10D160			•
accessory	*sealable terminal cover							ATACOP03	•		

NT 645

TAS63P

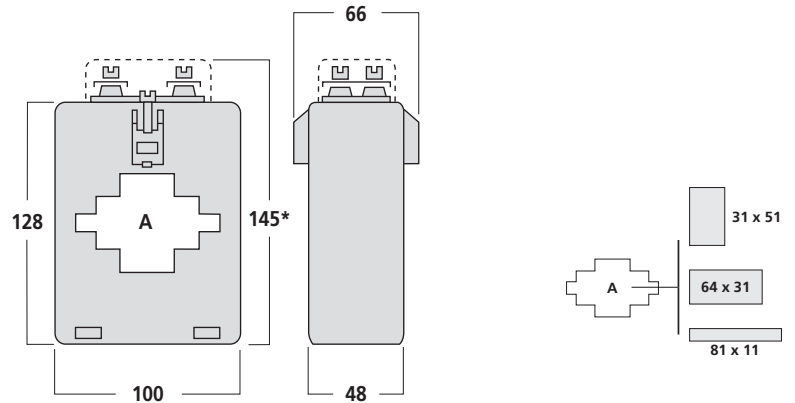
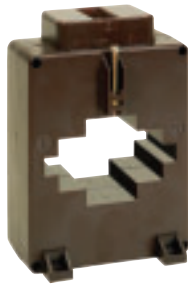
Primary current	Burden VA		Secondary 5A			Secondary 1A			UTF certification	
	cl.5P5	cl.5P10	Ordering code	Stock		Ordering code	Stock			
250A	2,5	1	TAWA50C250			TAWA10C250				
300A	3,5	1,2	TAWA50C300			TAWA10C300				
400A	4	1,5	TAWA50C400			TAWA10C400				
500A	5	1,5	TAWA50C500			TAWA10C500				
600A	6	2	TAWA50C600			TAWA10C600				
700A	7	2	TAWA50C700			TAWA10C700				
750A	7	2	TAWA50C750			TAWA10C750				
800A	7	1,5	TAWA50C800			TAWA10C800				
1000A	7	1,5	TAWA50D100			TAWA10D100				
1200A	10	1,5	TAWA50D120			TAWA10D120				
1250A	10	2	TAWA50D125			TAWA10D125				
1500A	10	1,5	TAWA50D150			TAWA10D150				
1600A	10	1,5	TAWA50D160			TAWA10D160				
accessory	*sealable terminal cover							ATACOP03	•	



NT 569

TAS64

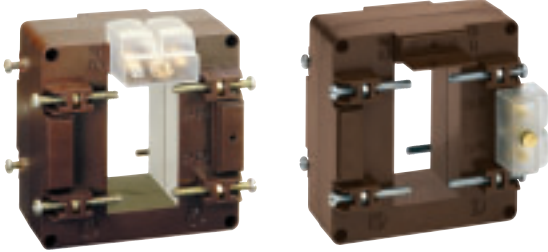
Primary current	Burden VA			Secondary 5A			Secondary 1A			UTF certification
	cl.0,5	cl.1	cl.3	Ordering code	Stock		Ordering code	Stock		
200A			3	TASI50C200			TASI10C200			
250A		2,5	4	TASI50C250			TASI10C250			
300A		3	5	TASI50C300			TASI10C300			
400A		4	6	TASI50C400	•		TASI10C400			
500A	2	4	6	TASI50C500	•		TASI10C500			
600A	4	6	8	TASI50C600	•		TASI10C600	•		•
700A	6	8	10	TASI50C700			TASI10C700			•
750A	6	8	10	TASI50C750			TASI10C750			•
800A	6	8	10	TASI50C800	•		TASI10C800	•		•
1000A	8	10	12	TASI50D100	•		TASI10D100	•		•
1200A	10	12	15	TASI50D120	•		TASI10D120			•
1250A	10	12	15	TASI50D125	•		TASI10D125	•		•
1500A	10	12	15	TASI50D150	•		TASI10D150	•		•
1600A	10	12	15	TASI50D160	•		TASI10D160	•		•
accessory	*sealable terminal cover						ATACOP03	•		



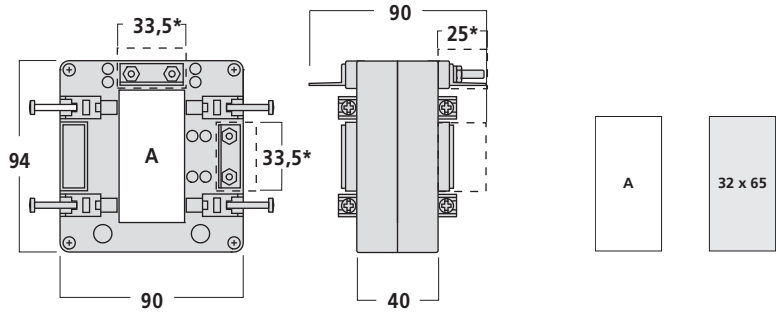
NT 573

TAS81

Primary current	Burden VA			Secondary 5A			Secondary 1A			UTF certification
	cl.0,5	cl.1	cl.3	Ordering code	Stock		Ordering code	Stock		
400A		2	3	TASN50C400			TASN10C400			
500A	2	4	6	TASN50C500			TASN10C500			
600A	3	5	8	TASN50C600	•		TASN10C600			•
700A	4	6	8	TASN50C700			TASN10C700			•
750A	4	6	8	TASN50C750			TASN10C750			•
800A	4	6	8	TASN50C800	•		TASN10C800			•
1000A	6	8	10	TASN50D100	•		TASN10D100	•		•
1200A	8	10	12	TASN50D120	•		TASN10D120			•
1250A	8	10	12	TASN50D125	•		TASN10D125			•
1500A	10	12	15	TASN50D150	•		TASN10D150	•		•
1600A	10	12	15	TASN50D160	•		TASN10D160			•
2000A	10	12	15	TASN50D200	•		TASN10D200	•		•
2500A	10	12	15	TASN50D250	•		TASN10D250	•		•
accessory	*sealable terminal cover						ATACOP03	•		



Terminals on long side



NT 518

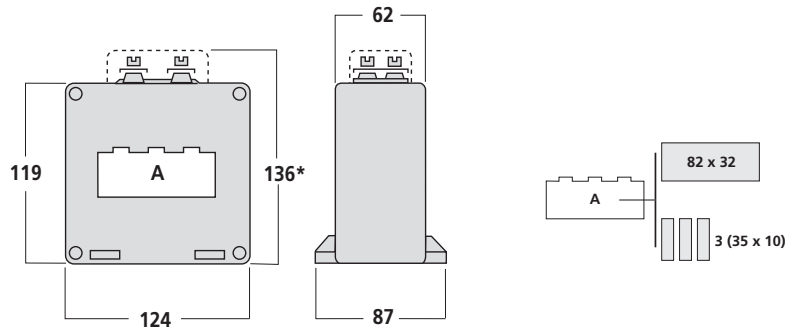
TAS65

Primary current	Burden VA					Secondary 5A			Secondary 1A			UTF certification
	cl.0,5	cl.1	cl.3	cl.5P5	cl.5P10	Ordering code	Stock		Ordering code	Stock		
200A		2	5	1		TASL50C200			TASL10C200			
250A	1	4	6	1		TASL50C250			TASL10C250			
300A	1,5	6	7	1		TASL50C300			TASL10C300			
400A	4	8	10	1,5		TASL50C400	•		TASL10C400			•
500A	8	10	12	2	1	TASL50C500	•		TASL10C500			•
600A	8	12	15	2,25	1	TASL50C600	•		TASL10C600			•
700A	10	12	15	2,25	1	TASL50C700			TASL10C700			•
750A	10	15	15	2	1	TASL50C750	•		TASL10C750			•
800A	12	15	20	2,25	1	TASL50C800	•		TASL10C800			•
1000A	15	20	25	3,5	1,5	TASL50D100	•		TASL10D100			•
1200A	15	20	25	4	2	TASL50D120	•		TASL10D120			•
1250A	15	20	25	3,5	1,5	TASL50D125	•		TASL10D125			•
1500A	20	25	30	5	2,5	TASL50D150	•		TASL10D150			•
1600A	20	25	30	4	2	TASL50D160	•		TASL10D160			•
2000A	20	25	30	4	2	TASL50D200	•		TASL10D200			•
accessory						*sealable terminal cover			ATACOP04	•		

TAS65

Terminals on long side

Primary current	Burden VA					Secondary 5A			Secondary 1A			UTF certification
	cl.0,5	cl.1	cl.3	cl.5P5	cl.5P10	Ordering code	Stock		Ordering code	Stock		
200A		2	5	1		TASL50C2003			TASL10C2003			
250A	1	4	6	1		TASL50C2503			TASL10C2503			
300A	1,5	6	7	1		TASL50C3003	•		TASL10C3003			
400A	4	8	10	1,5		TASL50C4003			TASL10C4003			•
500A	8	10	12	2	1	TASL50C5003	•		TASL10C5003			•
600A	8	12	15	2,25	1	TASL50C6003	•		TASL10C6003			•
700A	10	12	15	2,25	1	TASL50C7003			TASL10C7003			•
750A	10	15	15	2	1	TASL50C7503	•		TASL10C7503			•
800A	12	15	20	2,25	1	TASL50C8003	•		TASL10C8003			•
1000A	15	20	25	3,5	1,5	TASL50D1003	•		TASL10D1003			•
1200A	15	20	25	4	2	TASL50D1203	•		TASL10D1203			•
1250A	15	20	25	3,5	1,5	TASL50D1253	•		TASL10D1253			•
1500A	20	25	30	5	2,5	TASL50D1503	•		TASL10D1503			•
1600A	20	25	30	4	2	TASL50D1603	•		TASL10D1603	•		•
2000A	20	25	30	4	2	TASL50D2003	•		TASL10D2003			•
accessory						*sealable terminal cover			ATACOP04	•		



NT 571

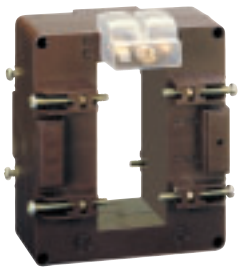
TAS80

Primary current	Burden VA				Secondary 5A			Secondary 1A			UTF certification
	cl.0,5	cl.1	cl.5P5	cl.5P10	Ordering code	Stock		Ordering code	Stock		
200A		4			TASM50C200			TASM10C200			
250A		6			TASM50C250			TASM10C250			
300A	4	8	6	2,5	TASM50C300			TASM10C300			•
400A	8	16	7	2,5	TASM50C400	•		TASM10C400			•
500A	10	20	10	3	TASM50C500	•		TASM10C500			•
600A	15	30	10	4	TASM50C600	•		TASM10C600			•
700A	20	40	10	4	TASM50C700			TASM10C700			•
750A	20	40	10	4	TASM50C750			TASM10C750			•
800A	20	40	10	4	TASM50C800	•		TASM10C800			•
1000A	20	40	15	4	TASM50D100	•		TASM10D100			•
1200A	25	50	20	5	TASM50D120	•		TASM10D120			•
1250A	25	50	20	5	TASM50D125			TASM10D125			•
1500A	40	80	25	5	TASM50D150	•		TASM10D150			•
1600A	40	80	25	5	TASM50D160	•		TASM10D160			•
2000A	50	100	30	6	TASM50D200	•		TASM10D200			•
2500A	60	120	35	6	TASM50D250	•		TASM10D250			•
accessory	*sealable terminal cover							ATACOP03	•		

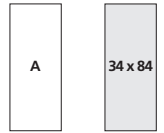
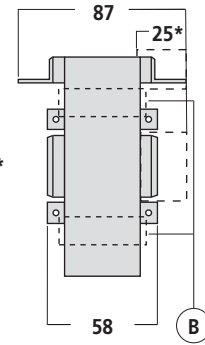
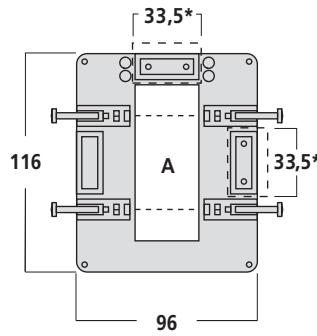
NT 572

TAS80P

Primary current	Burden VA				Secondary 5A			Secondary 1A			UTF certification
	cl.5P5	cl.5P10	cl.5P15	cl.5P20	Ordering code	Stock		Ordering code	Stock		
300A	8	4	2,5	1,5	TAWB50C300			TAWB10C300			
400A	10	5	3	2	TAWB50C400			TAWB10C400			
500A	12	6	4	2,5	TAWB50C500			TAWB10C500			
600A	15	7	4,5	3	TAWB50C600			TAWB10C600			
700A	16	8	4,5	3	TAWB50C700			TAWB10C700			
750A	20	9	5	3	TAWB50C750			TAWB10C750			
800A	20	8	4,5	2,5	TAWB50C800			TAWB10C800			
1000A	25	10	6	3	TAWB50D100			TAWB10D100			
1200A	30	12	6	3	TAWB50D120			TAWB10D120			
1250A	30	12	6	3	TAWB50D125			TAWB10D125			
1500A	35	12	5		TAWB50D150			TAWB10D150			
1600A	35	12	5		TAWB50D160			TAWB10D160			
2000A	40	12	3		TAWB50D200			TAWB10D200			
2500A	45	10			TAWB50D250			TAWB10D250			
accessory	*sealable terminal cover							ATACOP03	•		



Terminals on long side



NT 574

TAS84

Primary current	Burden VA			Secondary 5A			Secondary 1A			UTF certification
	cl.0,5	cl.1	cl.3	Ordering code	Stock		Ordering code	Stock		
150A			2	TASO50C150			TASO10C150			
200A			4	TASO50C200			TASO10C200			
250A			5	TASO50C250			TASO10C250			
300A			6	TASO50C300			TASO10C300			
400A	3	2	8	TASO50C400	•		TASO10C400			•
500A	5	7	10	TASO50C500	•		TASO10C500			•
600A	6	10	12	TASO50C600	•		TASO10C600			•
700A	6	10	12	TASO50C700			TASO10C700			•
750A	8	12	15	TASO50C750			TASO10C750			•
800A	8	12	15	TASO50C800	•		TASO10C800			•
1000A	10	15	20	TASO50D100	•		TASO10D100			•
1200A	12	15	20	TASO50D120	•		TASO10D120			•
1250A	12	15	20	TASO50D125	•		TASO10D125			•
1500A	15	20	25	TASO50D150	•		TASO10D150			•
1600A	15	20	25	TASO50D160	•		TASO10D160			•
2000A	20	25	30	TASO50D200	•		TASO10D200			•
2500A	25	30	40	TASO50D250	•		TASO10D250			•
accessories	*sealable terminal cover						ATACOP04	•		
	B spacing device for bars of 60mm						ATADIS01	•		

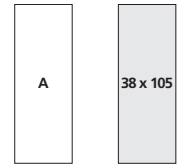
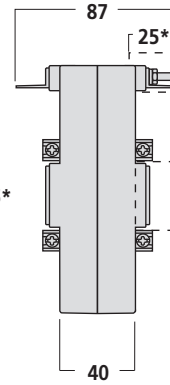
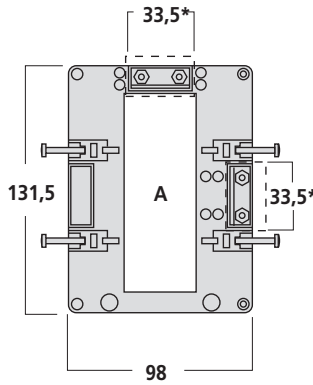
TAS84

Terminals on long side

Primary current	Burden VA			Secondary 5A			Secondary 1A			UTF certification
	cl.0,5	cl.1	cl.3	Ordering code	Stock		Ordering code	Stock		
150A			2	TASO50C1503			TASO10C1503			
200A			4	TASO50C2003			TASO10C2003			
250A			5	TASO50C2503			TASO10C2503			
300A			6	TASO50C3003			TASO10C3003			
400A	3	2	8	TASO50C4003			TASO10C4003			•
500A	5	7	10	TASO50C5003			TASO10C5003			•
600A	6	10	12	TASO50C6003			TASO10C6003			•
700A	6	10	12	TASO50C7003			TASO10C7003			•
750A	8	12	15	TASO50C7503			TASO10C7503			•
800A	8	12	15	TASO50C8003	•		TASO10C8003			•
1000A	10	15	20	TASO50D1003	•		TASO10D1003			•
1200A	12	15	20	TASO50D1203	•		TASO10D1203			•
1250A	12	15	20	TASO50D1253	•		TASO10D1253			•
1500A	15	20	25	TASO50D1503	•		TASO10D1503			•
1600A	15	20	25	TASO50D1603	•		TASO10D1603			•
2000A	20	25	30	TASO50D2003	•		TASO10D2003			•
2500A	25	30	40	TASO50D2503	•		TASO10D2503			•
accessories	*sealable terminal cover						ATACOP04	•		
	B spacing device for bars of 60mm						ATADIS01	•		



Terminals on long side



NT 539

TAS105

Primary current	Burden VA					Secondary 5A			Secondary 1A			UTF certification
	cl.0,5	cl.1	cl.3	cl.5P5	cl.5P10	Ordering code	Stock		Ordering code	Stock		
200A		1	4			TASP50C200			TASP10C200			
250A		2	5	1		TASP50C250			TASP10C250			
300A		3	7	1		TASP50C300			TASP10C300			
400A	1,5	5	8	1		TASP50C400			TASP10C400			
500A	3	8	10	1		TASP50C500			TASP10C500			•
600A	5	9	12	1		TASP50C600			TASP10C600			•
700A	8	10	12	1		TASP50C700			TASP10C700			•
750A	8	10	15	1		TASP50C750			TASP10C750			•
800A	8	12	15	1		TASP50C800	•		TASP10C800			•
1000A	10	15	20	2	1	TASP50D100	•		TASP10D100			•
1200A	12	15	25	3	1,5	TASP50D120	•		TASP10D120			•
1250A	15	20	25	3	1,5	TASP50D125	•		TASP10D125			•
1500A	15	20	30	3	1,5	TASP50D150	•		TASP10D150			•
1600A	15	20	30	3	1,5	TASP50D160	•		TASP10D160			•
2000A	20	30	40	3	1,5	TASP50D200	•		TASP10D200			•
2500A	25	30	50	3	1,5	TASP50D250	•		TASP10D250			•
3000A	25	30	50	4	2	TASP50D300	•		TASP10D300			•
accessory	*sealable terminal cover								ATACOP04	•		

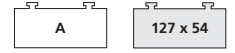
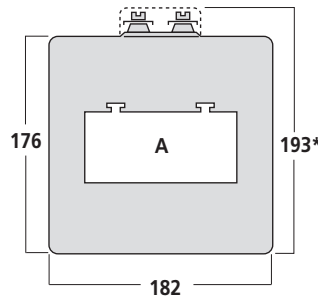
TAS105

Terminals on long side

Primary current	Burden VA					Secondary 5A			Secondary 1A			UTF certification
	cl.0,5	cl.1	cl.3	cl.5P5	cl.5P10	Ordering code	Stock		Ordering code	Stock		
200A		1	4			TASP50C2003			TASP10C2003			
250A		2	5	1		TASP50C2503			TASP10C2503			
300A		3	7	1		TASP50C3003			TASP10C3003			
400A	1,5	5	8	1		TASP50C4003			TASP10C4003			
500A	3	8	10	1		TASP50C5003			TASP10C5003			•
600A	5	9	12	1		TASP50C6003			TASP10C6003			•
700A	8	10	12	1		TASP50C7003			TASP10C7003			•
750A	8	10	15	1		TASP50C7503			TASP10C7503			•
800A	8	12	15	1		TASP50C8003			TASP10C8003			•
1000A	10	15	20	2	1	TASP50D1003	•		TASP10D1003			•
1200A	12	15	25	3	1,5	TASP50D1203	•		TASP10D1203			•
1250A	15	20	25	3	1,5	TASP50D1253			TASP10D1253			•
1500A	15	20	30	3	1,5	TASP50D1503	•		TASP10D1503			•
1600A	15	20	30	3	1,5	TASP50D1603			TASP10D1603			•
2000A	20	30	40	3	1,5	TASP50D2003	•		TASP10D2003	•		•
2500A	25	30	50	3	1,5	TASP50D2503	•		TASP10D2503	•		•
3000A	25	30	50	4	2	TASP50D3003	•		TASP10D3003			•
accessory	*sealable terminal cover								ATACOP04	•		



TAS Current transformers



NT 575

TAS125

Primary current	Burden VA				Secondary 5A			Secondary 1A			UTF certification
	cl.0,5	cl.1	cl.5P5	cl.5P10	Ordering code	Stock		Ordering code	Stock		
400A	3	6	6	3	TASQ50C400			TASQ10C400			•
500A	6	12	10	3	TASQ50C500			TASQ10C500			•
600A	15	30	10	5	TASQ50C600			TASQ10C600			•
700A	20	40	10	5	TASQ50C700			TASQ10C700			•
750A	20	40	10	5	TASQ50C750			TASQ10C750			•
800A	20	40	15	5	TASQ50C800			TASQ10C800			•
1000A	20	40	15	5	TASQ50D100	•		TASQ10D100			•
1200A	25	50	20	5	TASQ50D120			TASQ10D120			•
1250A	25	50	20	5	TASQ50D125			TASQ10D125			•
1500A	40	80	20	5	TASQ50D150	•		TASQ10D150			•
1600A	40	80	20	5	TASQ50D160			TASQ10D160			•
2000A	50	100	25	5	TASQ50D200	•		TASQ10D200	•		•
2500A	60	120	30	5	TASQ50D250	•		TASQ10D250	•		•
3000A	60	120	40	5	TASQ50D300	•		TASQ10D300	•		•
4000A	100	200	50	5	TASQ50D400	•		TASQ10D400	•		•
accessory	*sealable terminal cover							ATACOP03	•		

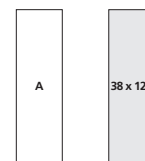
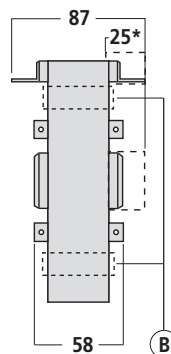
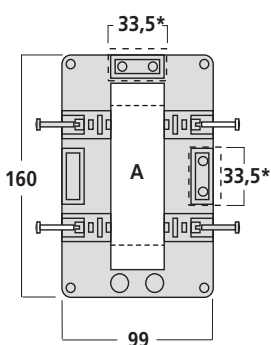
NT 576

TAS125P

Primary current	Burden VA				Secondary 5A			Secondary 1A			UTF certification
	cl.5P5	cl.5P10	cl.5P15	cl.5P20	Ordering code	Stock		Ordering code	Stock		
400A	12	6	3,5	2,5	TAWC50C400			TAWC10C400			
500A	15	7	4	3	TAWC50C500			TAWC10C500			
600A	20	10	5	4	TAWC50C600			TAWC10C600			
700A	20	10	6	4	TAWC50C700			TAWC10C700			
750A	25	10	7	5	TAWC50C750			TAWC10C750			
800A	25	10	7	5	TAWC50C800			TAWC10C800			
1000A	30	15	8	6	TAWC50D100			TAWC10D100			
1200A	35	15	8	6	TAWC50D120			TAWC10D120			
1250A	35	15	8	6	TAWC50D125			TAWC10D125			
1500A	40	20	10	6	TAWC50D150			TAWC10D150			
1600A	40	20	10	6	TAWC50D160			TAWC10D160			
2000A	50	20	10	4	TAWC50D200			TAWC10D200			
2500A	60	20	10	3	TAWC50D250			TAWC10D250			
3000A	80	25	10	3	TAWC50D300			TAWC10D300			
4000A	100	30	15	3	TAWC50D400			TAWC10D400			
accessory	*sealable terminal cover							ATACOP03	•		



Terminals on long side



NT 522

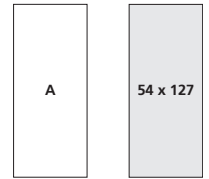
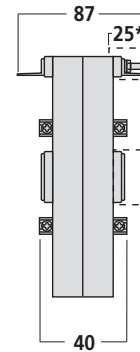
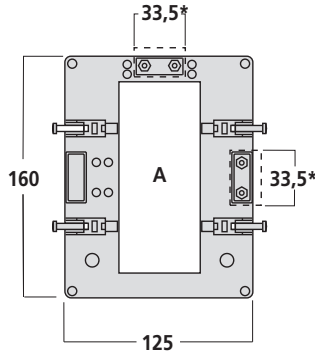
Primary current	Burden VA			Secondary 5A			Secondary 1A			UTF certification
	cl.0,5	cl.1	cl.3	Ordering code	Stock		Ordering code	Stock		
400A		3	6	TASR50C400			TASR10C400			
500A	2	4	8	TASR50C500			TASR10C500			
600A	4	6	10	TASR50C600			TASR10C600			•
700A	4	8	10	TASR50C700			TASR10C700			•
750A	4	8	10	TASR50C750			TASR10C750			•
800A	4	8	10	TASR50C800			TASR10C800			•
1000A	6	10		TASR50D100	•		TASR10D100			•
1200A	8	12		TASR50D120	•		TASR10D120			•
1250A	8	12		TASR50D125			TASR10D125			•
1500A	10	15		TASR50D150	•		TASR10D150	•		•
1600A	10	15		TASR50D160	•		TASR10D160			•
2000A	15	20		TASR50D200	•		TASR10D200	•		•
2500A	20	25		TASR50D250	•		TASR10D250	•		•
3000A	25	30		TASR50D300	•		TASR10D300	•		•
3200A	25	30		TASR50D320	•		TASR10D320			•
4000A	25	30		TASR50D400	•		TASR10D400			
accessories	*sealable terminal cover						ATACOP04	•		
	B spacing device for bars of 100mm						ATADIS02	•		

TAS127
Terminals on long side

Primary current	Burden VA			Secondary 5A			Secondary 1A			UTF certification
	cl.0,5	cl.1	cl.3	Ordering code	Stock		Ordering code	Stock		
400A		3	6	TASR50C4003			TASR10C4003			
500A	2	4	8	TASR50C5003			TASR10C5003			
600A	4	6	10	TASR50C6003			TASR10C6003			•
700A	4	8	10	TASR50C7003			TASR10C7003			•
750A	4	8	10	TASR50C7503			TASR10C7503			•
800A	4	8	10	TASR50C8003			TASR10C8003			•
1000A	6	10		TASR50D1003			TASR10D1003			•
1200A	8	12		TASR50D1203			TASR10D1203			•
1250A	8	12		TASR50D1253			TASR10D1253			•
1500A	10	15		TASR50D1503			TASR10D1503			•
1600A	10	15		TASR50D1603			TASR10D1603			•
2000A	15	20		TASR50D2003			TASR10D2003			•
2500A	20	25		TASR50D2503	•		TASR10D2503			•
3000A	25	30		TASR50D3003	•		TASR10D3003			•
3200A	25	30		TASR50D3203	•		TASR10D3203			•
4000A	25	30		TASR50D4003			TASR10D4003			
accessories	*sealable terminal cover						ATACOP04	•		
	B spacing device for bars of 100mm						ATADIS02	•		



Terminals on long side



NT 523

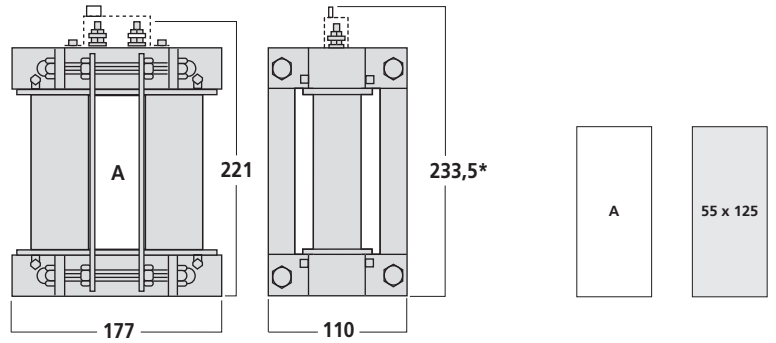
TAS127B

Primary current	Burden VA					Secondary 5A			Secondary 1A			UTF certification
	cl.0,5	cl.1	cl.3	cl.5P5	cl.5P10	Ordering code	Stock		Ordering code	Stock		
400A	1	7	10	2	1	TASS50C400			TASS10C400			
500A	3	10	14	2,5	1,25	TASS50C500			TASS10C500			•
600A	5	12	17	2,5	1,25	TASS50C600			TASS10C600			•
700A	8	15	20	3	1,5	TASS50C700			TASS10C700			•
750A	10	15	20	3	1,5	TASS50C750			TASS10C750			•
800A	10	15	20	3	1,5	TASS50C800			TASS10C800			•
1000A	12	20	25	4	2	TASS50D100	•		TASS10D100			•
1200A	15	25	30	4	2	TASS50D120			TASS10D120			•
1250A	15	25	30	5	2,5	TASS50D125			TASS10D125			•
1500A	20	30	40	5	2,5	TASS50D150	•		TASS10D150			•
1600A	20	30	40	6	3	TASS50D160	•		TASS10D160			•
2000A	25	40	50	7	3,5	TASS50D200	•		TASS10D200			•
2500A	30	50	60	8	4	TASS50D250	•		TASS10D250			•
3000A	30	50	60	10	5	TASS50D300	•		TASS10D300			•
3200A	30	50	60	10	5	TASS50D320	•		TASS10D320			•
4000A	30	50	60	12	6	TASS50D400	•		TASS10D400	•		•
accessory	*sealable terminal cover								ATACOP04	•		•

TAS127B

Terminals on long side

Primary current	Burden VA					Secondary 5A			Secondary 1A			UTF certification
	cl.0,5	cl.1	cl.3	cl.5P5	cl.5P10	Ordering code	Stock		Ordering code	Stock		
400A	1	7	10	2	1	TASS50C4003			TASS10C4003			
500A	3	10	14	2,5	1,25	TASS50C5003			TASS10C5003			•
600A	5	12	17	2,5	1,25	TASS50C6003			TASS10C6003			•
700A	8	15	20	3	1,5	TASS50C7003			TASS10C7003			•
750A	10	15	20	3	1,5	TASS50C7503			TASS10C7503			•
800A	10	15	20	3	1,5	TASS50C8003			TASS10C8003			•
1000A	12	20	25	4	2	TASS50D1003			TASS10D1003			•
1200A	15	25	30	4	2	TASS50D1203			TASS10D1203			•
1250A	15	25	30	5	2,5	TASS50D1253			TASS10D1253			•
1500A	20	30	40	5	2,5	TASS50D1503			TASS10D1503			•
1600A	20	30	40	6	3	TASS50D1603			TASS10D1603			•
2000A	25	40	50	7	3,5	TASS50D2003	•		TASS10D2003			•
2500A	30	50	60	8	4	TASS50D2503	•		TASS10D2503			•
3000A	30	50	60	10	5	TASS50D3003	•		TASS10D3003			•
3200A	30	50	60	10	5	TASS50D3203	•		TASS10D3203			•
4000A	30	50	60	12	6	TASS50D4003	•		TASS10D4003			•
accessory	*sealable terminal cover								ATACOP04	•		•



NT 714

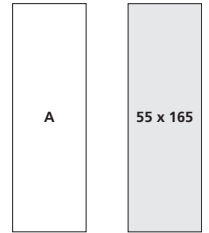
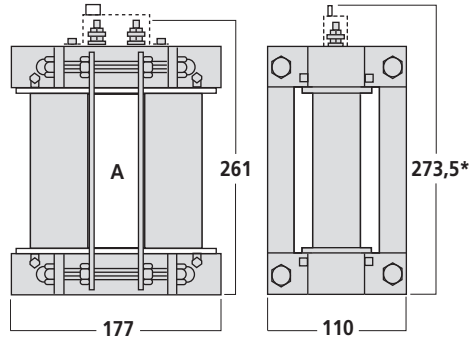
Primary current	Burden VA				Secondary 5A			Secondary 1A			UTF certification
	cl.0,5				Ordering code	Stock		Ordering code	Stock		
1000A	6				TAUA50D100			TAUA10D100			•
1200A	10				TAUA50D120			TAUA10D120			•
1500A	20				TAUA50D150			TAUA10D150			•
2000A	30				TAUA50D200			TAUA10D200			•
2500A	40				TAUA50D250			TAUA10D250			•
3000A	40				TAUA50D300			TAUA10D300			•
4000A	50				TAUA50D400			TAUA10D400			•
accessory	*sealable terminal cover							ATACOP05	•		

NT 715

Primary current	Burden VA				Secondary 5A			Secondary 1A			UTF certification
	cl.5P5	cl.5P10	cl.5P15	cl.5P20	Ordering code	Stock		Ordering code	Stock		
1000A	35	10	5	2	TAXA50D100			TAXA10D100			
1200A	40	15	6	2	TAXA50D120			TAXA10D120			
1500A	50	15	6	1,5	TAXA50D150			TAXA10D150			
2000A	50	15	6	1,5	TAXA50D200			TAXA10D200			
2500A	80	25	10	1,5	TAXA50D250			TAXA10D250			
3000A	100	35	10		TAXA50D300			TAXA10D300			
4000A	140	40	15		TAXA50D400			TAXA10D400			
accessory	*sealable terminal cover							ATACOP05	•		



TAU Current transformers

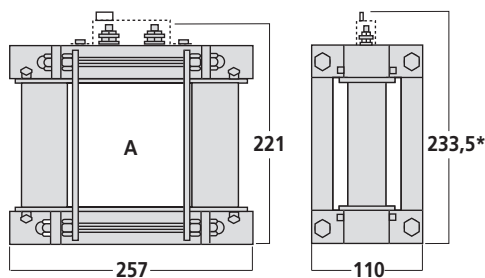


NT 520

TAU9		Burden VA		Secondary 5A			Secondary 1A			UTF certification
Primary current	cl.0,5	Ordering code	Stock	Ordering code	Stock	Ordering code	Stock			
1000A	6	TAUB50D100		TAUB10D100				•		
1200A	10	TAUB50D120		TAUB10D120				•		
1500A	20	TAUB50D150		TAUB10D150				•		
2000A	30	TAUB50D200		TAUB10D200				•		
2500A	40	TAUB50D250		TAUB10D250				•		
3000A	40	TAUB50D300		TAUB10D300				•		
4000A	50	TAUB50D400		TAUB10D400				•		
5000A	60	TAUB50D500		TAUB10D500				•		
accessory		*sealable terminal cover			ATACOP05	•				

NT 716

TAU91P		Burden VA				Secondary 5A			Secondary 1A			UTF certification
Primary current	cl.5P5	cl.5P10	cl.5P15	cl.5P20	Ordering code	Stock	Ordering code	Stock				
1000A	35	10	5	2	TAXB50D100		TAXB10D100					
1200A	40	15	6	2	TAXB50D120		TAXB10D120					
1500A	50	15	6	2	TAXB50D150		TAXB10D150					
2000A	50	20	10	3	TAXB50D200		TAXB10D200					
2500A	80	25	10	3	TAXB50D250		TAXB10D250					
3000A	80	35	15	4	TAXB50D300		TAXB10D300					
4000A	100	40	15	5	TAXB50D400		TAXB10D400					
5000A	100	40	20	5	TAXB50D500		TAXB10D500					
accessory					*sealable terminal cover			ATACOP05	•			



NT 717

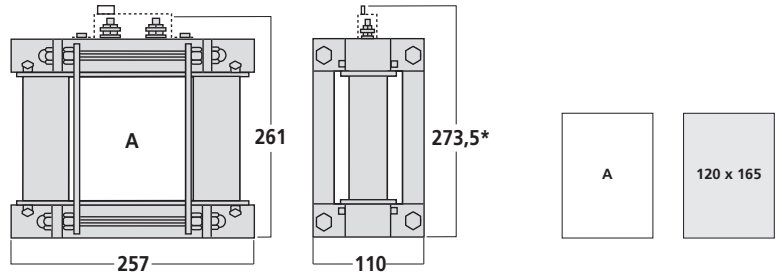
TAU10

Primary current	Burden VA				Secondary 5A			Secondary 1A			UTF certification
	cl.0,5				Ordering code	Stock		Ordering code	Stock		
1000A	6				TAUC50D100			TAUC10D100			•
1200A	10				TAUC50D120			TAUC10D120			•
1500A	20				TAUC50D150			TAUC10D150			•
2000A	30				TAUC50D200			TAUC10D200			•
2500A	40				TAUC50D250			TAUC10D250			•
3000A	40				TAUC50D300			TAUC10D300			•
4000A	50				TAUC50D400			TAUC10D400			•
5000A	60				TAUC50D500			TAUC10D500			•
6000A	70				TAUC50D600			TAUC10D600			•
accessory	*sealable terminal cover						ATACOP05	•			

NT 718

TAU101P

Primary current	Burden VA				Secondary 5A			Secondary 1A			UTF certification
	cl.5P5	cl.5P10	cl.5P15	cl.5P20	Ordering code	Stock		Ordering code	Stock		
1000A	35	10	5	2	TAXC50D100			TAXC10D100			
1200A	40	15	6	2	TAXC50D120			TAXC10D120			
1500A	50	15	6	1,5	TAXC50D150			TAXC10D150			
2000A	50	15	6	1,5	TAXC50D200			TAXC10D200			
2500A	80	25	10	1,5	TAXC50D250			TAXC10D250			
3000A	100	35	10		TAXC50D300			TAXC10D300			
4000A	100	40	15		TAXC50D400			TAXC10D400			
5000A	160	40	8		TAXC50D500			TAXC10D500			
6000A	180	50	10		TAXC50D600			TAXC10D600			
accessory	*sealable terminal cover						ATACOP05	•			



NT 719

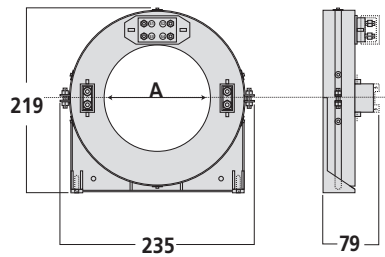
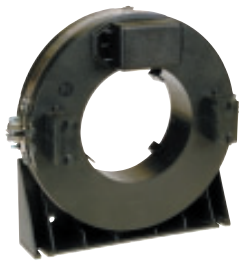
TAU11

Primary current	Burden VA				Secondary 5A			Secondary 1A			UTF certification
	cl.0,5				Ordering code	Stock		Ordering code	Stock		
1000A	6				TAUD50D100			TAUD10D100			•
1200A	10				TAUD50D120			TAUD10D120			•
1500A	20				TAUD50D150			TAUD10D150			•
2000A	30				TAUD50D200			TAUD10D200			•
2500A	40				TAUD50D250			TAUD10D250			•
3000A	40				TAUD50D300			TAUD10D300			•
4000A	50				TAUD50D400			TAUD10D400			•
5000A	60				TAUD50D500			TAUD10D500			•
6000A	70				TAUD50D600			TAUD10D600			•
8000A	70				TAUD50D800			TAUD10D800			•
accessory	*sealable terminal cover						ATACOP05	•			

NT 720

TAU11P

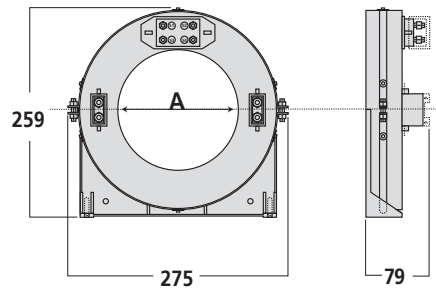
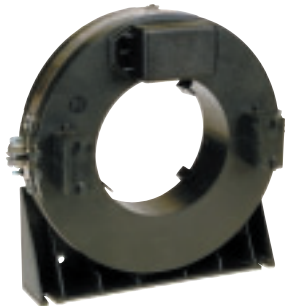
Primary current	Burden VA				Secondary 5A			Secondary 1A			UTF certification
	cl.5P5	cl.5P10	cl.5P15	cl.5P20	Ordering code	Stock		Ordering code	Stock		
1000A	35	10	5	2	TAXD50D100			TAXD10D100			
1200A	40	15	6	2	TAXD50D120			TAXD10D120			
1500A	50	15	6	2	TAXD50D150			TAXD10D150			
2000A	50	20	10	3	TAXD50D200			TAXD10D200			
2500A	80	25	10	3	TAXD50D250			TAXD10D250			
3000A	80	35	15	4	TAXD50D300			TAXD10D300			
4000A	100	40	15	5	TAXD50D400			TAXD10D400			
5000A	100	40	20	5	TAXD50D500			TAXD10D500			
6000A	100	40	20	3	TAXD50D600			TAXD10D600			
8000A	100	40	20		TAXD50D800			TAXD10D800			
accessory	*sealable terminal cover						ATACOP05	•			



NT 721

TRA11

Primary current	Burden VA			Secondary 5A			UTF certification
	cl.0,5	cl.1	cl.3	Ordering code	Stock		
100A			3	TAAA50C100			
120A			3	TAAA50C120			
150A			5	TAAA50C150			
200A			5	TAAA50C200			
250A		5		TAAA50C250			
300A		5		TAAA50C300			
400A	5			TAAA50C400			•
500A	8			TAAA50C500			•
600A	15			TAAA50C600			•
800A	15			TAAA50C800			•
1000A	15			TAAA50D100			•
1200A	20			TAAA50D120			•
1500A	20			TAAA50D150			•
2000A	25			TAAA50D200			•



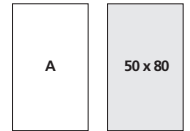
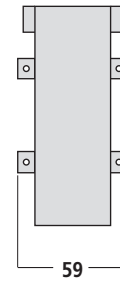
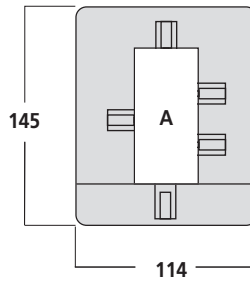
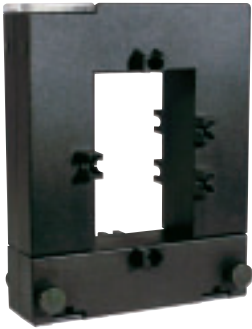
NT 722

TRA15

Primary current	Burden VA			Secondary 5A			UTF certification
	cl.0,5	cl.1	cl.3	Ordering code	Stock		
100A			3	TAAB50C100			
120A			3	TAAB50C120			
150A			5	TAAB50C150			
200A			5	TAAB50C200			
250A		5		TAAB50C250			
300A		5		TAAB50C300			
400A	5			TAAB50C400			•
500A	8			TAAB50C500			•
600A	15			TAAB50C600			•
800A	15			TAAB50C800			•
1000A	15			TAAB50D100			•
1200A	20			TAAB50D120			•
1500A	20			TAAB50D150			•
2000A	25			TAAB50D200			•
2500A	25			TAAB50D250			•
3000A	25			TAAB50D300			•
4000A	30			TAAB50D400			•
5000A	30			TAAB50D500			•



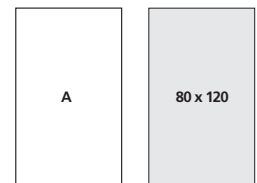
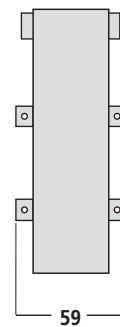
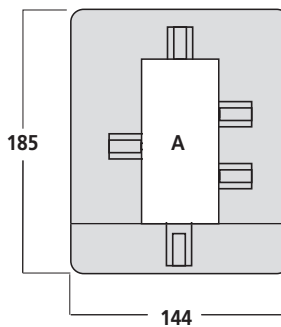
TRA Current transformers



NT 723

TRA58R

Primary current	Burden VA			Secondary 5A			UTF certification
	cl.0,5	cl.1	cl.3	Ordering code	Stock		
250A	1	2	4	TAAD50C250	•		
400A	1,5	3	10	TAAD50C400	•		
600A	2,5	5	17,5	TAAD50C600	•		
800A	3	7	18	TAAD50C800	•		•



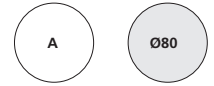
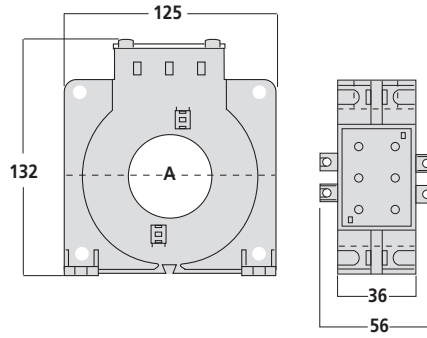
NT 724

TRA812R

Primary current	Burden VA			Secondary 5A			UTF certification
	cl.0,5	cl.1	cl.3	Ordering code	Stock		
600A	-	5	14	TAAE50C600	•		
800A	3	7	18	TAAE50C800	•		•
1000A	5	9	20	TAAE50D100	•		•
1200A	6	11	24	TAAE50D120	•		•
1500A	8	17	30	TAAE50D150	•		•



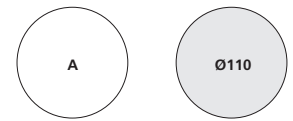
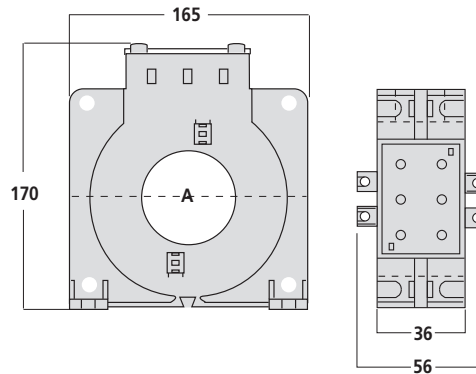
TAC Current transformers



NT 712

TAC80

Primary current	Burden VA			Secondary 5A			UTF certification
	cl.0,5	cl.1	cl.3	Ordering code	Stock		
400A	3	5	8	TA0850C400	•		•
500A	3	5	8	TA0850C500	•		•
600A	4	6	8	TA0850C600	•		•
800A	4	6	8	TA0850C800	•		•
1000A	6	8	10	TA0850D100	•		•



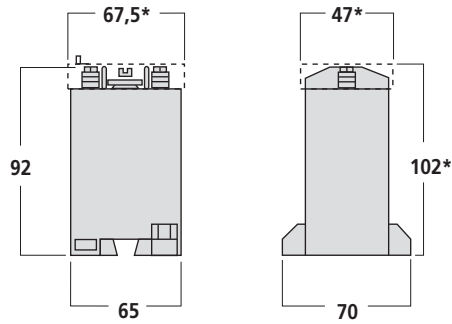
NT 713

TAC110

Primary current	Burden VA			Secondary 5A			UTF certification
	cl.0,5	cl.1	cl.3	Ordering code	Stock		
400A	3	5	8	TA1150C400	•		•
500A	3	5	8	TA1150C500	•		•
600A	4	6	8	TA1150C600	•		•
800A	4	6	8	TA1150C800	•		•
1000A	8	10	12	TA1150D100	•		•
1200A	8	10	12	TA1150D120	•		•
1500A	10	12	15	TA1150D150	•		•



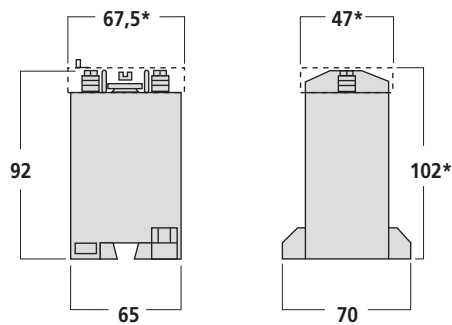
TAQ Current transformers



NT 725

TAQ1

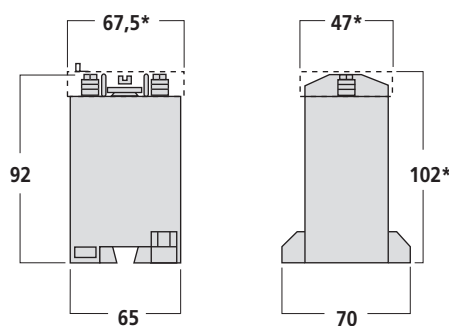
Primary current	Burden VA			Secondary 5A			Secondary 1A			UTF certification
	cl.1			Ordering code	Stock		Ordering code	Stock		
5A	3			TAQE50A500	•		TAQE10A500	•		
10A	3			TAQE50B100	•		TAQE10B100	•		
15A	3			TAQE50B150	•		TAQE10B150	•		
20A	3			TAQE50B200	•		TAQE10B200	•		
25A	3			TAQE50B250	•		TAQE10B250	•		
30A	3			TAQE50B300	•		TAQE10B300	•		
40A	3			TAQE50B400	•		TAQE10B400	•		
50A	3			TAQE50B500	•		TAQE10B500	•		
60A	3			TAQE50B600	•		TAQE10B600	•		
accessories	*sealable terminal cover fixing on Rail Din						ATACOP06	•		
							ATADIN01	•		



NT 726

TAQ2

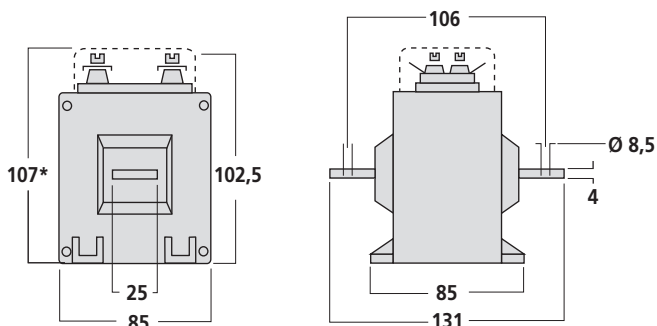
Primary current	Burden VA			Secondary 5A			Secondary 1A			UTF certification
	cl.0,5	cl.1	cl.3	Ordering code	Stock		Ordering code	Stock		
5A	2	4	6	TAQA50A500	•		TAQA10A500	•		
10A	2	4	6	TAQA50B100	•		TAQA10B100	•		
15A	2	4	6	TAQA50B150	•		TAQA10B150	•		
20A	2	4	6	TAQA50B200	•		TAQA10B200	•		
25A	2	4	6	TAQA50B250	•		TAQA10B250	•		
30A	2	4	6	TAQA50B300	•		TAQA10B300	•		
40A	2	4	6	TAQA50B400	•		TAQA10B400	•		
50A	2	4	6	TAQA50B500	•		TAQA10B500	•		
60A	2	4	6	TAQA50B600	•		TAQA10B600	•		
70A	2	4	6	TAQA50B700			TAQA10B700			
75A	2	4	6	TAQA50B750			TAQA10B750			
80A	2	4	6	TAQA50B800			TAQA10B800			
accessories	*sealable terminal cover fixing on Rail Din						ATACOP06	•		
							ATADIN01	•		



NT 727

TAQB

Primary current	Burden VA			Secondary 5A			Secondary 1A			UTF certification
	cl.0,5	cl.1	cl.3	Ordering code	Stock		Ordering code	Stock		
5A	6	10	12	TAQB50A500	•		TAQB10A500	•		•
10A	6	10	12	TAQB50B100	•		TAQB10B100	•		•
15A	6	10	12	TAQB50B150	•		TAQB10B150	•		•
20A	6	10	12	TAQB50B200	•		TAQB10B200	•		•
25A	6	10	12	TAQB50B250	•		TAQB10B250	•		•
30A	6	10	12	TAQB50B300	•		TAQB10B300	•		•
40A	6	10	12	TAQB50B400	•		TAQB10B400	•		•
50A	6	10	12	TAQB50B500	•		TAQB10B500	•		•
60A	6	10	12	TAQB50B600	•		TAQB10B600	•		•
70A	6	10	12	TAQB50B700			TAQB10B700			•
75A	6	10	12	TAQB50B750			TAQB10B750			•
80A	6	10	12	TAQB50B800			TAQB10B800			•
100A	6	10	12	TAQB50C100			TAQB10C100			•
accessories	*sealable terminal cover fixing on Rail Din						ATACOP06	•		
							ATADIN01	•		



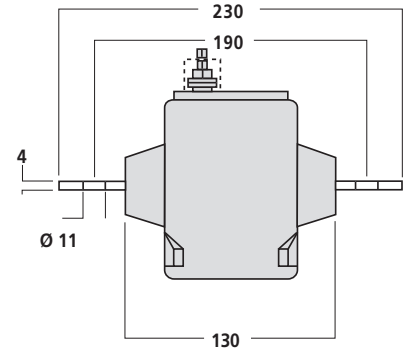
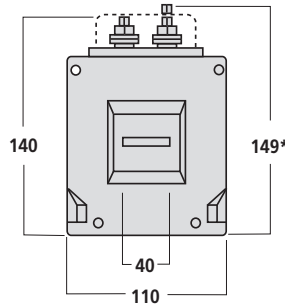
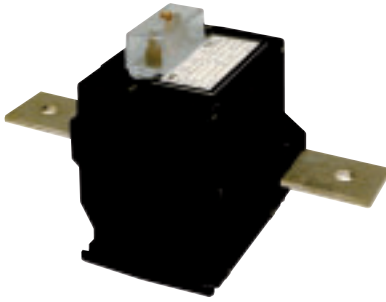
NT 728

TAQC

Primary current	Burden VA			Secondary 5A			Secondary 1A			UTF certification
	cl.0,5	cl.1	cl.3	Ordering code	Stock		Ordering code	Stock		
5A	10	15	20	TAQC50A500	•		TAQC10A500	•		•
10A	10	15	20	TAQC50B100	•		TAQC10B100	•		•
15A	10	15	20	TAQC50B150	•		TAQC10B150	•		•
20A	10	15	20	TAQC50B200	•		TAQC10B200	•		•
25A	10	15	20	TAQC50B250	•		TAQC10B250	•		•
30A	10	15	20	TAQC50B300	•		TAQC10B300	•		•
40A	10	15	20	TAQC50B400	•		TAQC10B400	•		•
50A	10	15	20	TAQC50B500	•		TAQC10B500	•		•
60A	10	15	20	TAQC50B600	•		TAQC10B600	•		•
70A	10	15	20	TAQC50B700			TAQC10B700			•
75A	10	15	20	TAQC50B750			TAQC10B750	•		•
80A	10	15	20	TAQC50B800	•		TAQC10B800	•		•
100A	10	15	20	TAQC50C100	•		TAQC10C100	•		•
120A	10	15	20	TAQC50C120	•		TAQC10C120	•		•
150A	10	15	20	TAQC50C150	•		TAQC10C150	•		•
200A	10	15	20	TAQC50C200	•		TAQC10C200	•		•
250A	10	15	20	TAQC50C250	•		TAQC10C250	•		•
300A	10	15	20	TAQC50C300	•		TAQC10C300	•		•
accessory	*sealable terminal cover						ATACOP03	•		



TAQ Current transformers



NT 729

TAQ20

Primary current	Burden VA			Secondary 5A			Secondary 1A			UTF certification
	cl.0,5	cl.1	cl.3	Ordering code	Stock		Ordering code	Stock		
5A	20	40	45	TAQD50A500			TAQD10A500			•
10A	20	40	45	TAQD50B100			TAQD10B100			•
15A	20	40	45	TAQD50B150			TAQD10B150			•
20A	20	40	45	TAQD50B200			TAQD10B200			•
25A	20	40	45	TAQD50B250			TAQD10B250			•
30A	20	40	45	TAQD50B300			TAQD10B300			•
40A	20	40	45	TAQD50B400			TAQD10B400			•
50A	20	40	45	TAQD50B500			TAQD10B500			•
60A	20	40	45	TAQD50B600			TAQD10B600			•
70A	20	40	45	TAQD50B700			TAQD10B700			•
75A	20	40	45	TAQD50B750			TAQD10B750			•
80A	20	40	45	TAQD50B800			TAQD10B800			•
100A	20	40	45	TAQD50C100			TAQD10C100			•
120A	20	40	45	TAQD50C120			TAQD10C120			•
150A	20	40	45	TAQD50C150			TAQD10C150			•
200A	20	40	45	TAQD50C200			TAQD10C200			•
250A	20	40	45	TAQD50C250			TAQD10C250			•
300A	20	40	45	TAQD50C300			TAQD10C300			•
400A	20	40	45	TAQD50C400			TAQD10C400			•
500A	20	40	45	TAQD50C500			TAQD10C500			•
600A	20	40	45	TAQD50C600			TAQD10C600			•
accessory	*sealable terminal cover						ATACOP07	•		

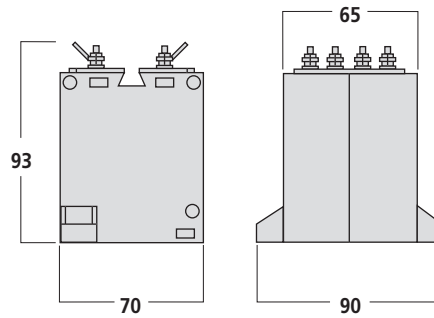
NT 730

TAQ20P

Primary current	Burden VA		Secondary 5A			Secondary 1A			UTF certification	
	cl.5P5	cl.5P10	Ordering code	Stock		Ordering code	Stock			
5A	8	4	TAVA50A500			TAVA10A500				
10A	8	4	TAVA50B100			TAVA10B100				
15A	8	4	TAVA50B150			TAVA10B150				
20A	8	4	TAVA50B200			TAVA10B200				
25A	8	4	TAVA50B250			TAVA10B250				
30A	8	4	TAVA50B300			TAVA10B300				
40A	8	4	TAVA50B400			TAVA10B400				
50A	8	4	TAVA50B500			TAVA10B500				
60A	8	4	TAVA50B600			TAVA10B600				
70A	8	4	TAVA50B700			TAVA10B700				
75A	8	4	TAVA50B750			TAVA10B750				
80A	8	4	TAVA50B800			TAVA10B800				
100A	8	4	TAVA50C100			TAVA10C100				
120A	8	4	TAVA50C120			TAVA10C120				
150A	8	4	TAVA50C150			TAVA10C150				
200A	8	4	TAVA50C200			TAVA10C200				
250A	8	4	TAVA50C250			TAVA10C250				
300A	8	4	TAVA50C300			TAVA10C300				
400A	8	4	TAVA50C400			TAVA10C400				
500A	8	4	TAVA50C500			TAVA10C500				
600A	8	4	TAVA50C600			TAVA10C600				
accessory	*sealable terminal cover						ATACOP07	•		

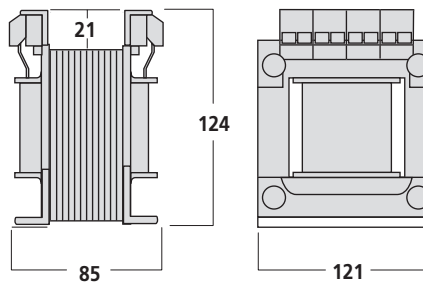
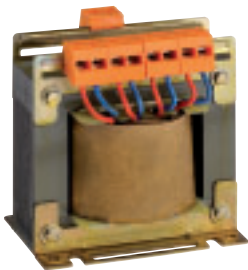


BSA-BTA Current transformers summation



NT731										
BSA02										
	Burden VA		Secondary 5A			Secondary 1A				
Primary current	cl.0,5	cl.1	Ordering code	Stock		Ordering code	Stock			
5+5A	10	15	TAEA5025	•						
1+1A	10	15					TAEA1021			
accessory	*sealable terminal cover					ATACOP11	•			

BSA03										
	Burden VA		Secondary 5A			Secondary 1A				
Primary current	cl.0,5	cl.1	Ordering code	Stock		Ordering code	Stock			
5+5+5A	10	15	TAEA5035	•						
1+1+1A	10	15					TAEA1031			
accessory	*sealable terminal cover					ATACOP11	•			



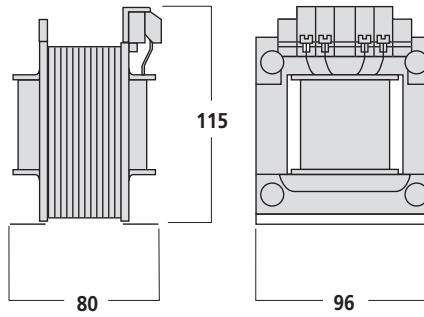
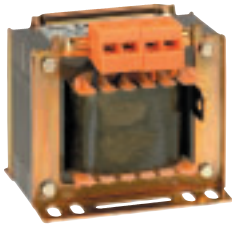
NT732										
BTA2										
	Burden VA		Secondary 5A			Secondary 1A				
Primary current	cl.0,5		Ordering code	Stock		Ordering code	Stock			
5+5A	40		TAEB5025	•						
5+5+5A	40		TAEB5035	•						
5+5+5+5A	40		TAEB5045							
5+5+5+5+5A	15		TAEB5055							
5+5+5+5+5+5A	15		TAEB5065							
1+1A	40					TAEB1021				
1+1+1A	40					TAEB1031				
1+1+1+1A	40					TAEB1041				
1+1+1+1+1A	15					TAEB1051				
1+1+1+1+1+1A	15					TAEB1061				

available options	ordering code
versions with inputs from main CT with ratios equals among them	☎

Note:
The above mentioned summation transformer codes must be considered just for the current sums of more lines of one voltage system with main CT with ratios equals among them.



BTV Voltage transformers

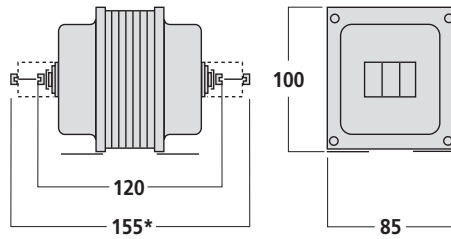


NT 733

BTV3

Primary voltage	Burden VA	Secondary 100V			Secondary 100:√3V			UTF certification
	cl.1	Ordering code	Stock		Ordering code	Stock		
100V	6	TVVAC100C100						
110V	6	TVVAC110C100						
115V	6	TVVAC115C100						
220V	6	TVVAC220C100	•					
230V	6	TVVAC230C100	•					
240V	6	TVVAC240C100						
380V	6	TVVAC380C100	•					
400V	6	TVVAC400C100	•					
440V	6	TVVAC440C100						
450V	6	TVVAC450C100						
500V	6	TVVAC500C100	•					
600V	6	TVVAC600C100	•					
100:√3V	3				TVVAG100G100			
110:√3V	3				TVVAG110G100			
115:√3V	3				TVVAG115G100			
220:√3V	3				TVVAG220G100			
230:√3V	3				TVVAG230G100			
240:√3V	3				TVVAG240G100			
380:√3V	3				TVVAG380G100			
400:√3V	3				TVVAG400G100			
440:√3V	3				TVVAG440G100			
450:√3V	3				TVVAG450G100			
500:√3V	3				TVVAG500G100			
600:√3V	3				TVVAG600G100			

available options	ordering code
secondary 110V or 110:√3V	replace the last 3 digits of the standard code with "110"

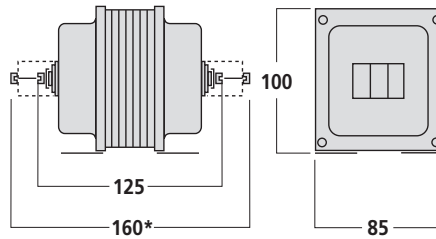


NT734

BTV6

Primary voltage	Burden VA		Secondary 100V		Secondary 100:√3V		UTF certification
	cl.0,5	cl.3P	Ordering code	Stock	Ordering code	Stock	
100V	6	20	TVVBC100C100				•
110V	6	20	TVVBC110C100				•
115V	6	20	TVVBC115C100				•
220V	6	20	TVVBC220C100	•			•
230V	6	20	TVVBC230C100				•
240V	6	20	TVVBC240C100				•
380V	6	20	TVVBC380C100	•			•
400V	6	20	TVVBC400C100	•			•
440V	6	20	TVVBC440C100				•
450V	6	20	TVVBC450C100				•
500V	6	20	TVVBC500C100	•			•
600V	6	20	TVVBC600C100	•			•
100:√3V	3	10			TVVBG100G100		•
110:√3V	3	10			TVVBG110G100		•
115:√3V	3	10			TVVBG115G100		•
220:√3V	3	10			TVVBG220G100		•
230:√3V	3	10			TVVBG230G100		•
240:√3V	3	10			TVVBG240G100		•
380:√3V	3	10			TVVBG380G100		•
400:√3V	3	10			TVVBG400G100		•
440:√3V	3	10			TVVBG440G100		•
450:√3V	3	10			TVVBG450G100		•
500:√3V	3	10			TVVBG500G100		•
600:√3V	3	10			TVVBG600G100		•
accessory	*primary/secondary sealable terminal cover				ATVCOP01	•	

available options	ordering code
secondary 110V or 110:√3V	replace the last 3 digits of the standard code with "110"



NT 735

BTV10

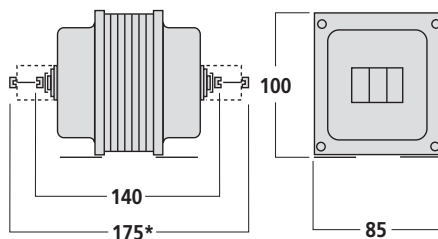
Primary voltage	Burden VA		Secondary 100V			Secondary 100:√3V			UTF certification
	c.l.0,5	c.l.3P	Ordering code	Stock		Ordering code	Stock		
100V	10	30	TVVCC100C100						•
110V	10	30	TVVCC110C100						•
115V	10	30	TVVCC115C100						•
220V	10	30	TVVCC220C100	•					•
230V	10	30	TVVCC230C100						•
240V	10	30	TVVCC240C100						•
380V	10	30	TVVCC380C100	•					•
400V	10	30	TVVCC400C100	•					•
440V	10	30	TVVCC440C100						•
450V	10	30	TVVCC450C100						•
500V	10	30	TVVCC500C100	•					•
600V	10	30	TVVCC600C100	•					•
100:√3V	5	15				TVVCG100G100			•
110:√3V	5	15				TVVCG110G100			•
115:√3V	5	15				TVVCG115G100			•
220:√3V	5	15				TVVCG220G100			•
230:√3V	5	15				TVVCG230G100			•
240:√3V	5	15				TVVCG240G100			•
380:√3V	5	15				TVVCG380G100			•
400:√3V	5	15				TVVCG400G100	•		•
440:√3V	5	15				TVVCG440G100			•
450:√3V	5	15				TVVCG450G100			•
500:√3V	5	15				TVVCG500G100			•
600:√3V	5	15				TVVCG600G100			•
accessory	*primary/secondary sealable terminal cover					ATVCOP01	•		

available options

secondary 110V or 110:√3V

ordering code

replace the last 3 digits of the standard code with "110"



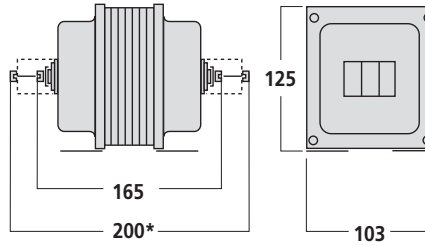
NT 736

Primary voltage	Burden VA		Secondary 100V		Secondary 100:√3V		UTF certification
	cI.0,5	cI.3P	Ordering code	Stock	Ordering code	Stock	
100V	20	50	TVVDC100C100				•
110V	20	50	TVVDC110C100				•
115V	20	50	TVVDC115C100				•
220V	20	50	TVVDC220C100	•			•
230V	20	50	TVVDC230C100				•
240V	20	50	TVVDC240C100				•
380V	20	50	TVVDC380C100	•			•
400V	20	50	TVVDC400C100	•			•
440V	20	50	TVVDC440C100				•
450V	20	50	TVVDC450C100				•
500V	20	50	TVVDC500C100	•			•
600V	20	50	TVVDC600C100	•			•
660V	20	50	TVVDC660C100				•
690V	20	50	TVVDC690C100				•
700V	20	50	TVVDC700C100				•
800V	20	50	TVVDC800C100				•
1000V	20	50	TVVDD100C100	•			•
100:√3V	10	25			TVVDG100G100		•
110:√3V	10	25			TVVDG110G100		•
115:√3V	10	25			TVVDG115G100		•
220:√3V	10	25			TVVDG220G100		•
230:√3V	10	25			TVVDG230G100		•
240:√3V	10	25			TVVDG240G100		•
380:√3V	10	25			TVVDG380G100		•
400:√3V	10	25			TVVDG400G100	•	•
440:√3V	10	25			TVVDG440G100		•
450:√3V	10	25			TVVDG450G100		•
500:√3V	10	25			TVVDG500G100		•
600:√3V	10	25			TVVDG600G100		•
660:√3V	10	25			TVVDG660C100		•
690:√3V	10	25			TVVDG690C100		•
700:√3V	10	25			TVVDG700C100		•
800:√3V	10	25			TVVDG800G100		•
1000:√3V	10	25			TVVDH100G100		•
accessory	*primary/secondary sealable terminal cover				ATVCOP01	•	

available options	ordering code
secondary 110V or 110:√3V	replace the last 3 digits of the standard code with "110"



BTV Voltage transformers



NT 737

BTV50

Primary voltage	Burden VA		Secondary 100V			Secondary 100:√3V			UTF certification
	cl.0,5	cl.3P	Ordering code	Stock		Ordering code	Stock		
100V	50	100	TVVEC100C100						•
110V	50	100	TVVEC110C100						•
115V	50	100	TVVEC115C100						•
220V	50	100	TVVEC220C100						•
230V	50	100	TVVEC230C100						•
240V	50	100	TVVEC240C100						•
380V	50	100	TVVEC380C100						•
400V	50	100	TVVEC400C100						•
440V	50	100	TVVEC440C100						•
450V	50	100	TVVEC450C100						•
500V	50	100	TVVEC500C100						•
600V	50	100	TVVEC600C100						•
660V	50	100	TVVEC660C100						•
690V	50	100	TVVEC690C100						•
700V	50	100	TVVEC700C100						•
800V	50	100	TVVEC800C100						•
1000V	50	100	TVVED100C100						•
100:√3V	25	50				TVVEG100G100			•
110:√3V	25	50				TVVEG110G100			•
115:√3V	25	50				TVVEG115G100			•
220:√3V	25	50				TVVEG220G100			•
230:√3V	25	50				TVVEG230G100			•
240:√3V	25	50				TVVEG240G100			•
380:√3V	25	50				TVVEG380G100			•
400:√3V	25	50				TVVEG400G100			•
440:√3V	25	50				TVVEG440G100			•
450:√3V	25	50				TVVEG450G100			•
500:√3V	25	50				TVVEG500G100			•
600:√3V	25	50				TVVEG600G100			•
660:√3V	25	50				TVVEG660C100			•
690:√3V	25	50				TVVEG690C100			•
700:√3V	25	50				TVVEG700C100			•
800:√3V	25	50				TVVEG800G100			•
1000:√3V	25	50				TVVEH100G100			•

accessory

*primary/secondary sealable terminal cover

ATVCOP01

•

available options

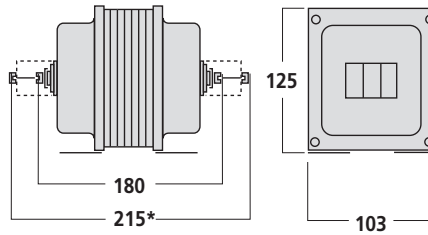
secondary 110V or 110:√3V

ordering code

replace the last 3 digits of the standard code with "110"



BTV Voltage transformers



NT 738

BTV100

Primary voltage	Burden VA		Secondary 100V		Secondary 100:√3V			UTF certification
	c.l.0,5	c.l.3P	Ordering code	Stock	Ordering code	Stock		
100V	100	200	TVVFC100C100					•
110V	100	200	TVVFC110C100					•
115V	100	200	TVVFC115C100					•
220V	100	200	TVVFC220C100					•
230V	100	200	TVVFC230C100					•
240V	100	200	TVVFC240C100					•
380V	100	200	TVVFC380C100					•
400V	100	200	TVVFC400C100					•
440V	100	200	TVVFC440C100					•
450V	100	200	TVVFC450C100					•
500V	100	200	TVVFC500C100					•
600V	100	200	TVVFC600C100					•
660V	100	200	TVVFC660C100					•
690V	100	200	TVVFC690C100					•
700V	100	200	TVVFC700C100					•
800V	100	200	TVVFC800C100					•
1000V	100	200	TVVFD100C100					•
100:√3V	50	100			TVVFG100G100			•
110:√3V	50	100			TVVFG110G100			•
115:√3V	50	100			TVVFG115G100			•
220:√3V	50	100			TVVFG220G100			•
230:√3V	50	100			TVVFG230G100			•
240:√3V	50	100			TVVFG240G100			•
380:√3V	50	100			TVVFG380G100			•
400:√3V	50	100			TVVFG400G100			•
440:√3V	50	100			TVVFG440G100			•
450:√3V	50	100			TVVFG450G100			•
500:√3V	50	100			TVVFG500G100			•
600:√3V	50	100			TVVFG600G100			•
660:√3V	50	100			TVVFG660C100			•
690:√3V	50	100			TVVFG690C100			•
700:√3V	50	100			TVVFG700C100			•
800:√3V	50	100			TVVFG800G100			•
1000:√3V	50	100			TVVFG100G100			•
accessory	*primary/secondary sealable terminal cover				ATVCOP01	•		

available options

secondary 110V or 110:√3V

ordering code

replace the last 3 digits of the standard code with "110"



Current

Summation transformers

They make the current vector sum of different lines of one voltage system only.

Summation transformers with different ratios

ex.: $1500/5A + 1000/5A + 1200/5A = 3700/5A$

Data to be shown:

- N° of inputs
- Transformation ratios
- Secondary current
- Burden
- Accuracy class

Summation transformers with more than 6 inputs (up to a max of 12)

Data to be shown:

- N° of inputs
- Primary currents
- Transformation ratios (if different among them)
- Secondary current
- Burden
- Accuracy class

Ratio calibration C.T.

They adjust the transformation ratio of main C.T. and suit it to the measuring circuit needs.

They adjust the phase displacement caused by the triangle/star (star/triangle) connection.

They filter possible single-pole currents.

Data to be shown:

- Primary current
- Secondary current
- Burden
- Accuracy class

Executions upon request

- Frequency up to 400Hz
- Special classes 0,5s - 0,2 - 0,2s
- Reference voltage for insulation 1,2kV
test voltage 6kV for 1' at 50Hz
(except for models TAU - TRA)
- Double ratio obtained on secondary
(except for models TAIBB - TAI200 - TAI210 - TAI230 - TAI233 - TAI300 - TAQ1 - TAQ2 - TAQ6)
s1 - s2 = lower ratio
s1 - s3 = higher ratio

Voltage

V.T. with more ratios primary

ex: 500 - 400 - 300/100V

Data to be shown:

- Primary voltages
- Secondary voltage
- Burden
- Accuracy class

V.T. with more ratios secondary

ex: 500/100 - 100: $\sqrt{3}$ V

Data to be shown:

- Primary voltage
- Secondary voltages
- Burden
- Accuracy class

V.T. with two insulated secondary

(measuring + protection, non-contemporary burden)

ex.: 230: $\sqrt{3}$ V / 100: $\sqrt{3}$ V (measuring) - 100: $\sqrt{3}$ V (protection)

Data to be shown:

- Primary voltage
- Secondary voltages
- Burden
- Accuracy class

Executions upon request

- Frequency up to 400Hz
- Special class 0,2
- More primary or secondary ratios
(burden and class to be defined)
- Secondary with two insulated windings
(burden and class to be defined)
- Ratios different from the ones shown